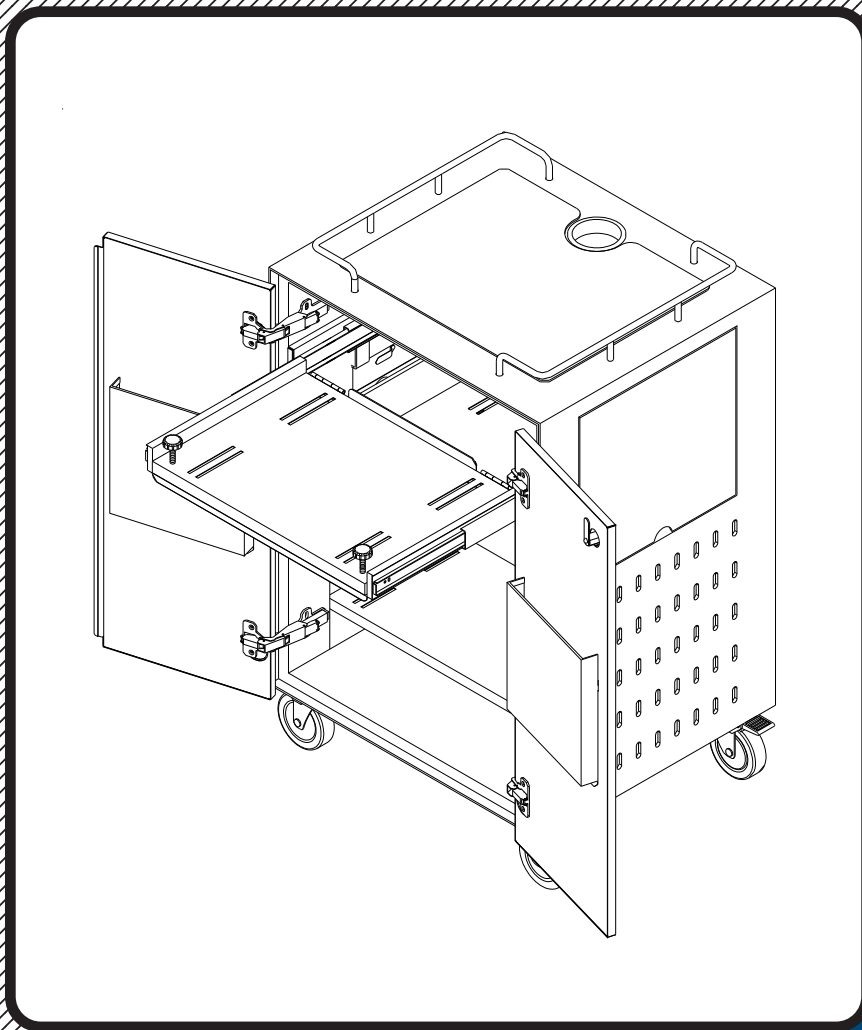




#27513 "The Boss"
Mobile AV/Presentation System

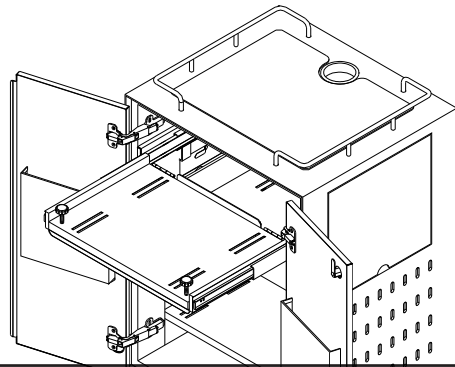


Assembly Instructions

#27513 "The Boss" Mobile AV / Presentation System



Should you require assistance during assembly, please call our Customer Service Department Monday - Friday 8 a.m. - 5 p.m. Central Standard Time 1-800-749-2258



Part	Drawing	Description	Qty
P1		Metal Cabinet	1 EA
P2		Security Rail	2 EA
P3		Shelf Brackets	8 EA
P4		Adjustable Shelf	2 EA
P5		Keys (2 front door/2 back door)	4 EA
P6		Bracket#1 7 Outlet elec.	1 EA
P7		Bracket#2 7 Outlet elec.	1 EA
P8		7 Outlet Electrical w/Switch	1 EA

Part	Drawing	Description	Qty
Hardware List			
A		Socket Screw M6X12mm	8 EA
A1		Hex Head Screw M8X20mm	16 EA
B		Flat Washer (install on Caster)	16 EA
B1		Rubber O-Ring (installed on rail)	8 EA
C		4" Locking Plate Caster	2 EA
D		4" Plate Caster	2 EA
E		Self Tapping Screw 3.5 x 10mm	12 EA
F		Wrench 13mm	1 EA
G		Allen Wrench	1 EA

Do not use unless all screws are tight. At least every six months, check all screws to be sure they are tight. If parts are missing, broken, damaged, or worn, stop use of the product until repairs are made by your dealer using factory authorized parts.

#27513 "The Boss" Assembly Diagram



**READ THROUGH INSTRUCTIONS FROM BEGINNING TO
END BEFORE STARTING TO ASSEMBLE UNIT.**

- 1.) Identify and Separate all the Parts and Hardware.
- 2.) Attach 2 Locking Plate Casters (C) to the front, and 2 Plate Casters (D) to the back of the Metal Cabinet (P1) using 16 screws (A1) and 16 Flat Washers (B). Tighten all Casters using Socket or Open end Wrench.

Missing Parts or UPS Damaged Parts
For Your Convenience you can
EMAIL us at
furniture@baltinc.com
24HOURS 7 DAYS A WEEK

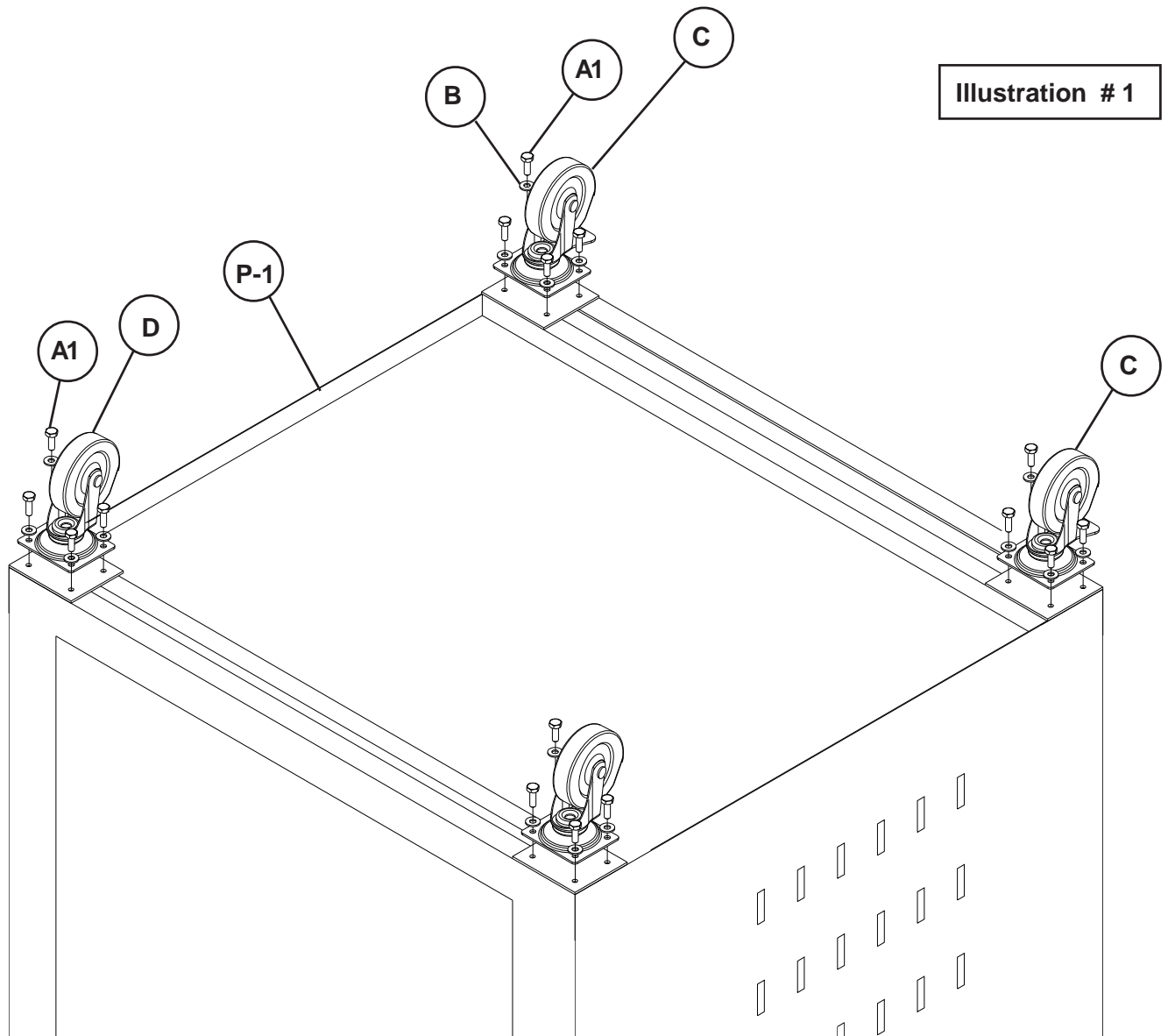


Illustration # 1

3.) Attach 2 Security Rails (P-2) to the Metal Cabinet (P-1) using 8 Screws (A) as shown in illustration #2.

4.) Be sure 8 Rubber O-Rings (B1) are located on rails as shown.

5.) After securing rails, slide Rubber O-Rings (B1) down rails until they contact Metal Cabinet (P-1).

Illustration #2

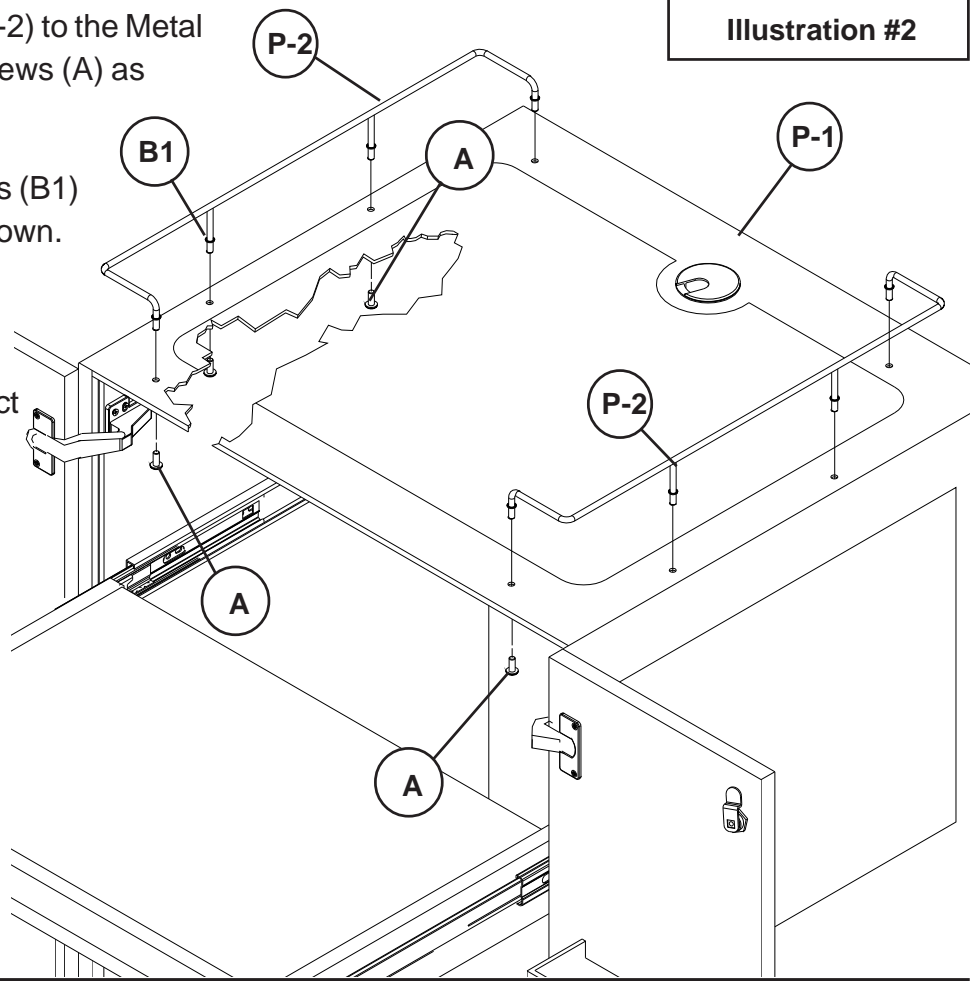
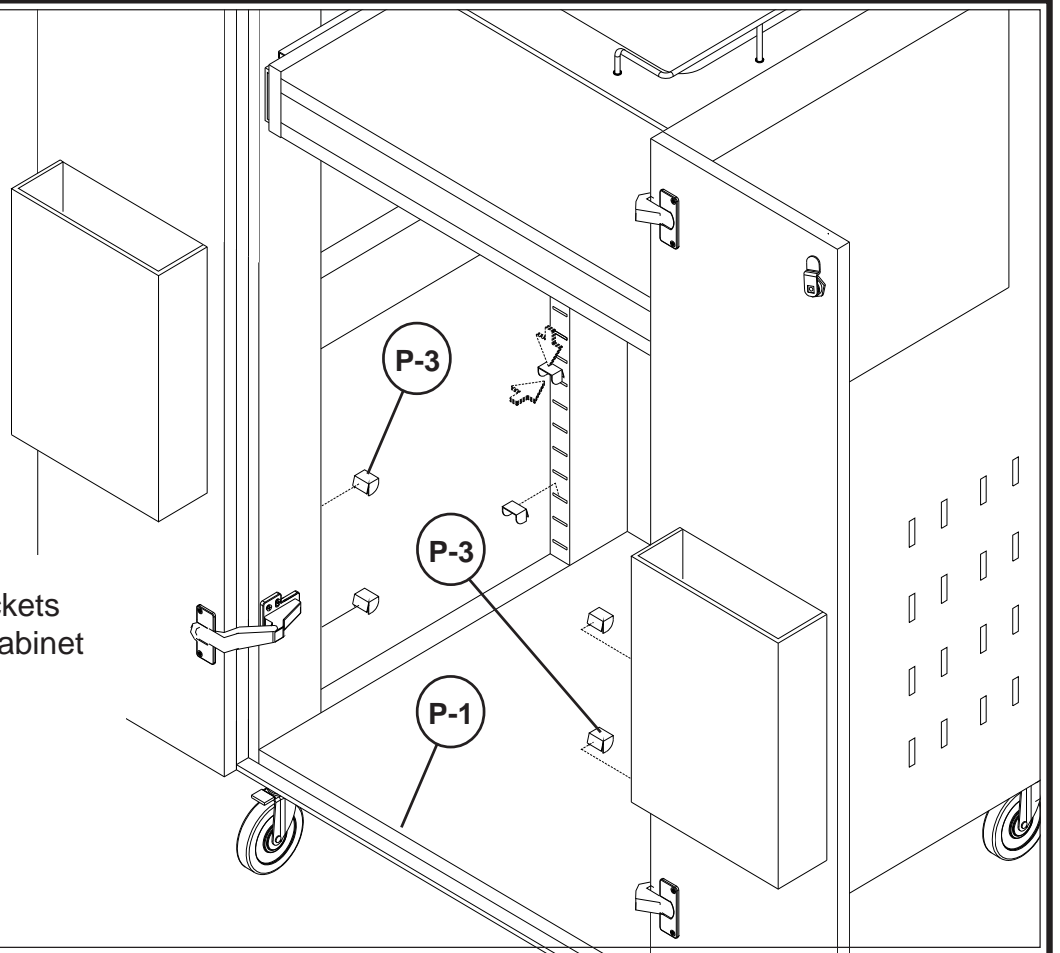


Illustration #3

6.) Attach 8 Shelf Brackets (P-3) to the Metal Cabinet (P-1) as shown in illustration #3.



9.) To secure 2 Adjustable Shelves (P-4) onto the 8 Shelf Brackets (P-3), insert 8 Screws (E) as shown in illustration #5.

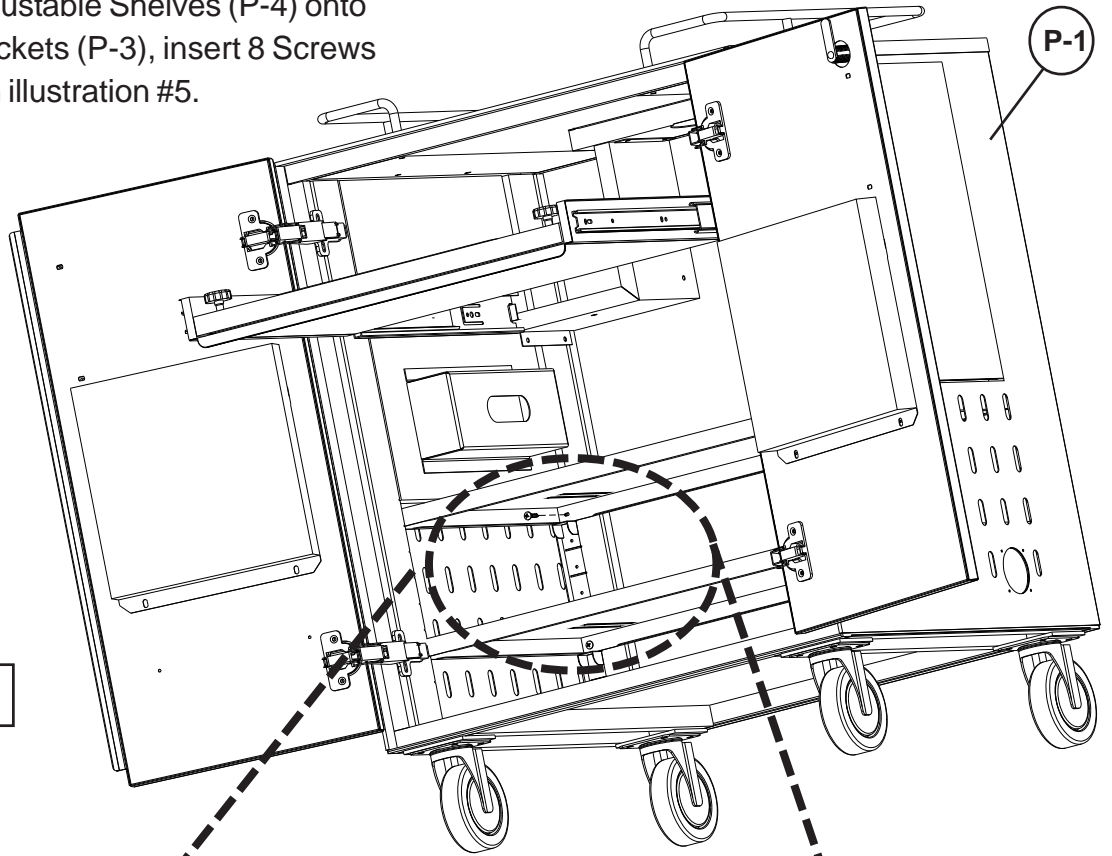


Illustration #5

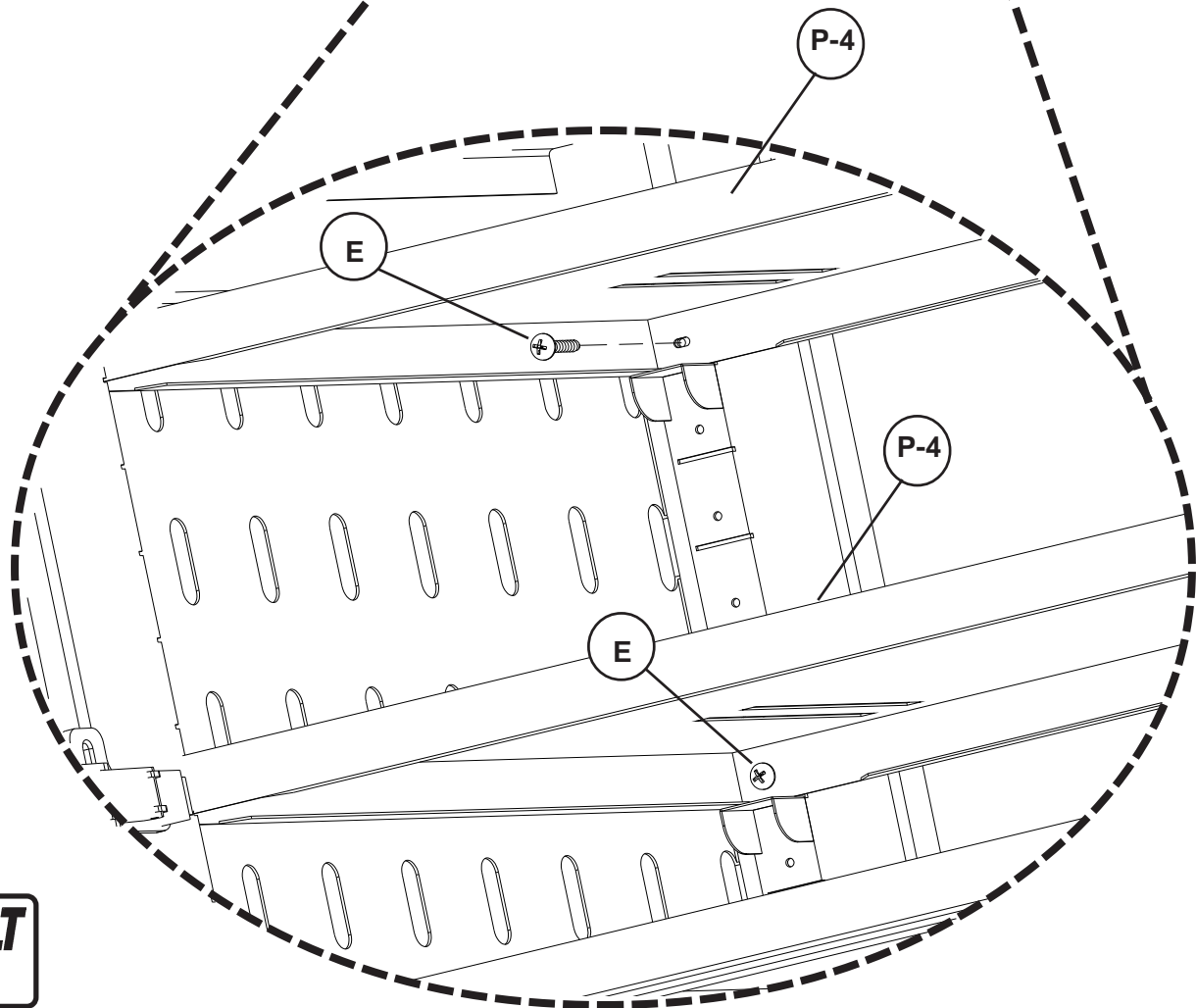
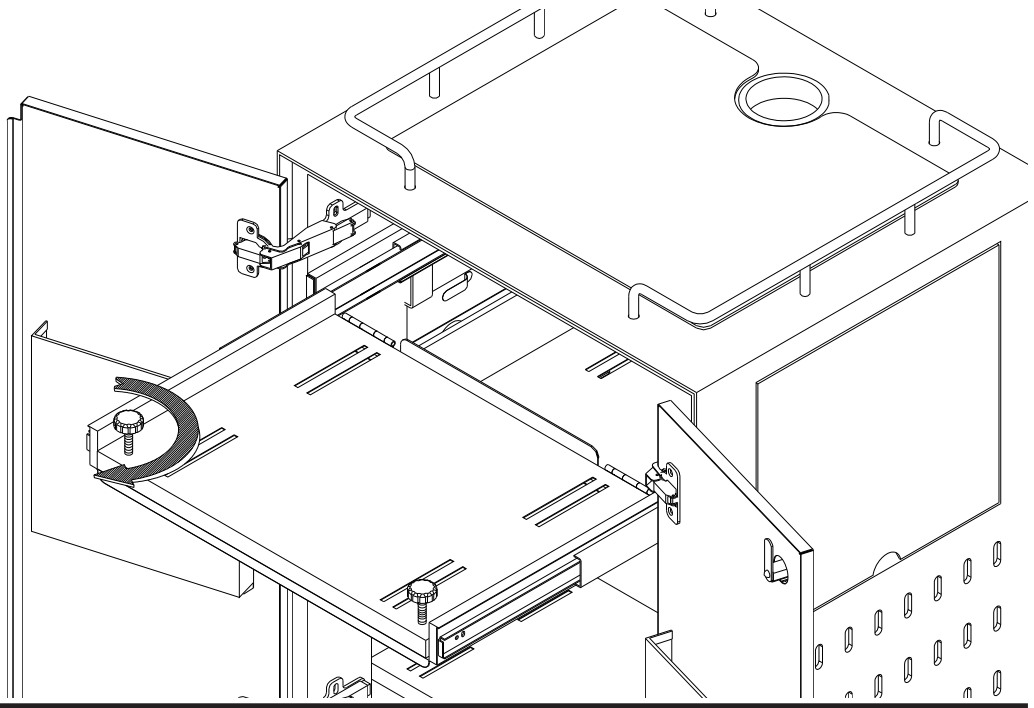
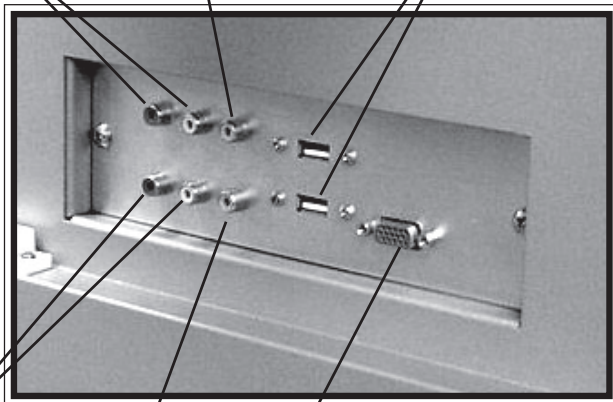


Illustration #7

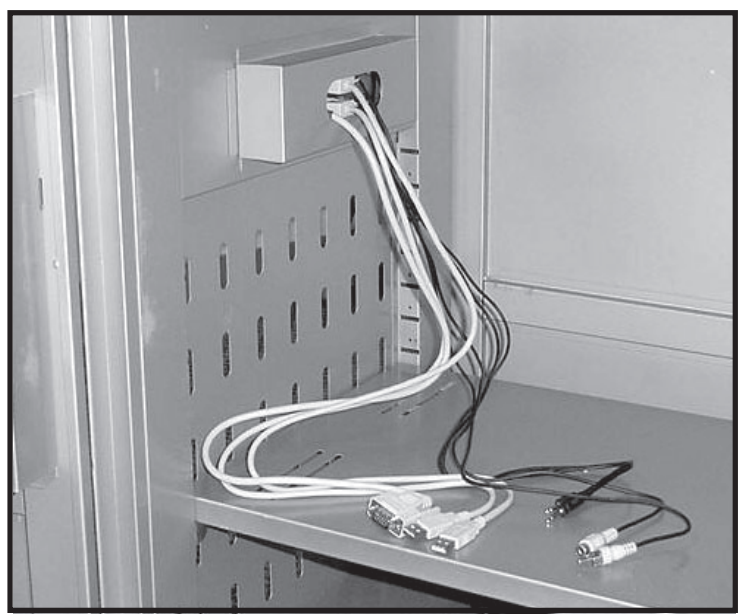
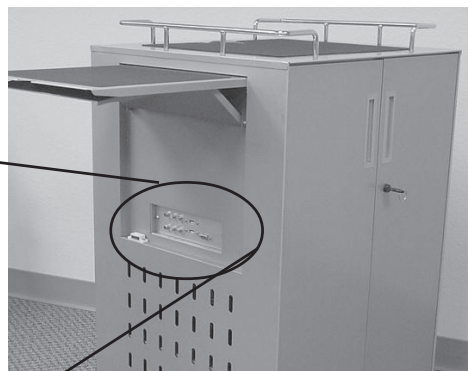
To adjust LCD Shelf Angle, turn 2 knobs on front of shelf as shown in illustration #7.

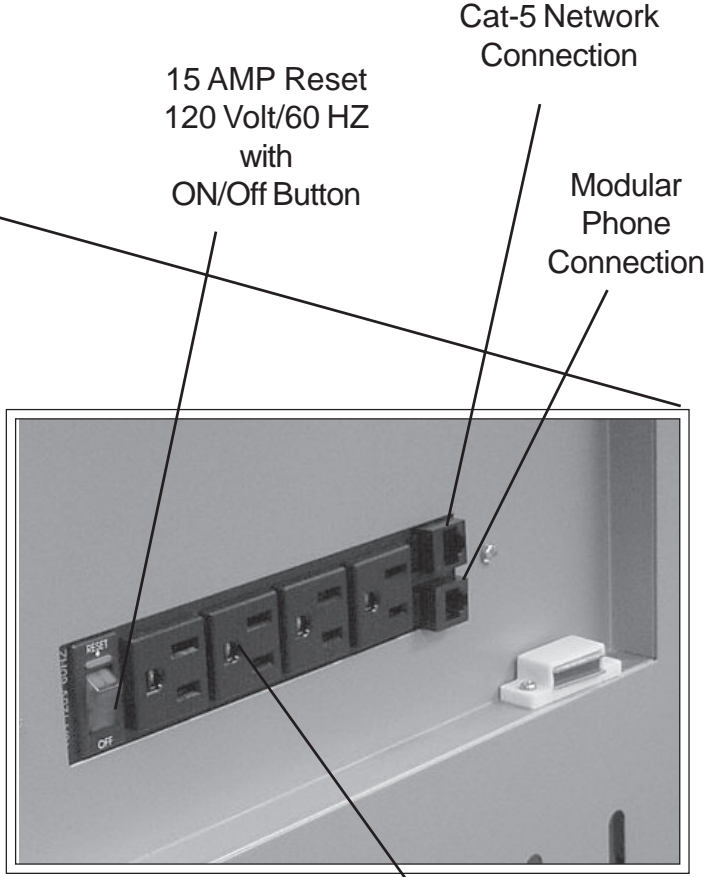
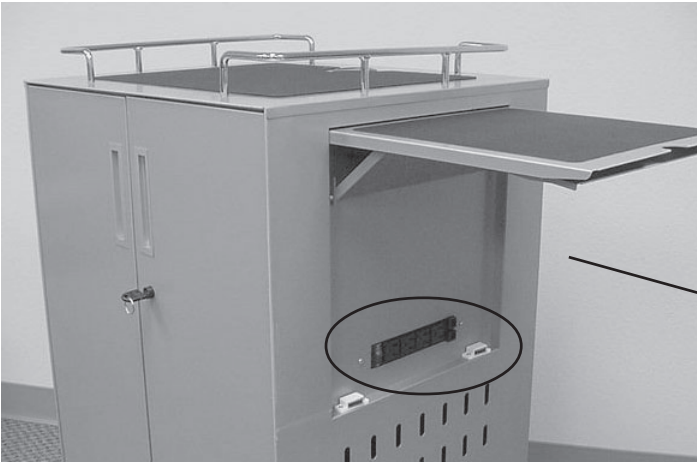


Audio Inputs Left & Right Video Input Jack USB Ports



Audio Output Left & Right Video Output Jack 15 Pin Parallel RS-232 Connector





Cat-5 Network Connection
 Modular Phone Connection

Grounded A/C Plug



Important

The Balt product you have purchased is guaranteed against material and workmanship defects. This guarantee extends 1 year from date of purchase. Should this product fail to function satisfactorily under normal use due to defect or imperfection, the defective part or product will be replaced. Damage caused by common carriers during shipment is not included in this guarantee.

This guarantee sets forth all applicable guarantees and remedies. No other warranty, expressed or implied shall apply. Failure to follow instructions found in Important Information Section of Owner Sheet shall void the guarantee. Consequential or incidental damages and or costs are not refundable.