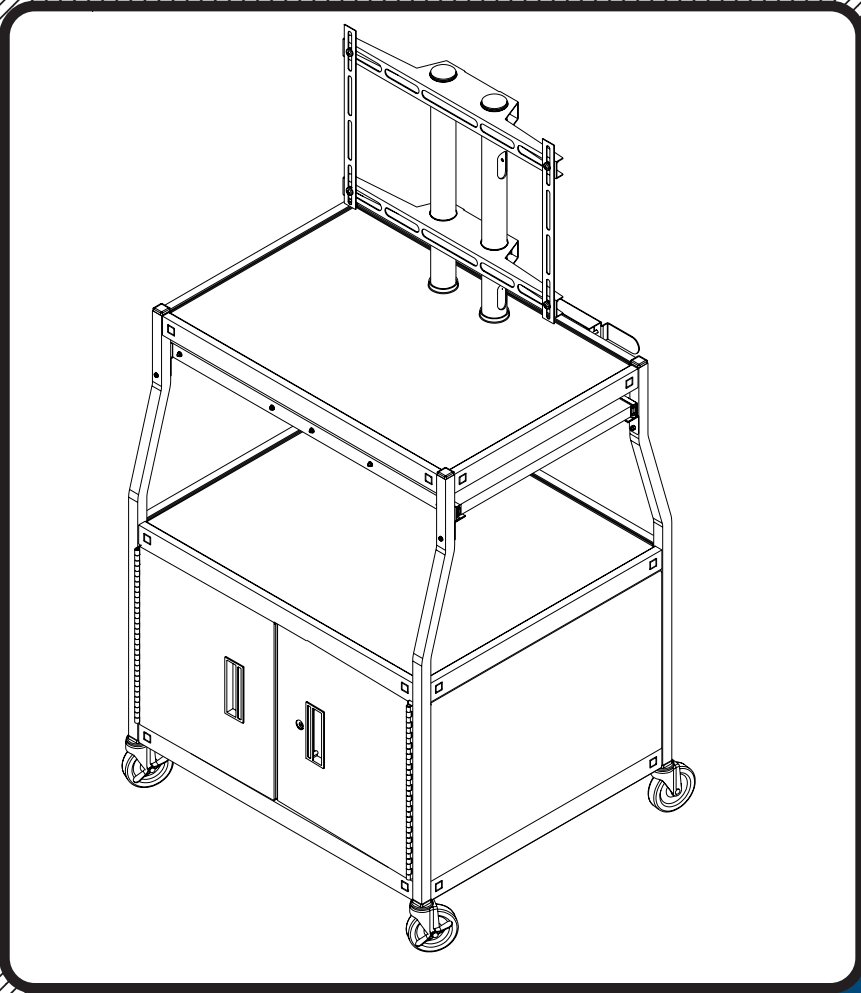




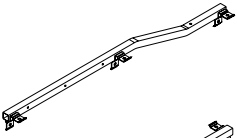
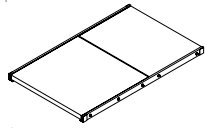
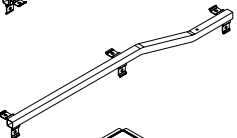
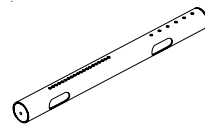
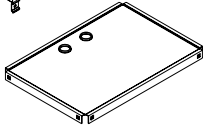
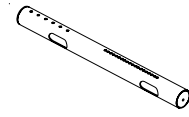
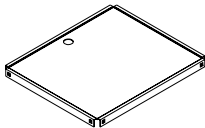
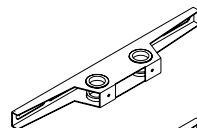
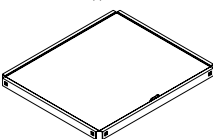
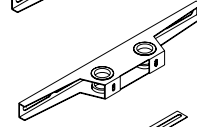
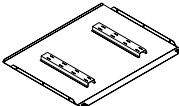
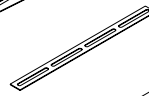
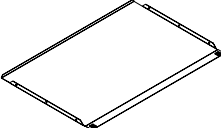
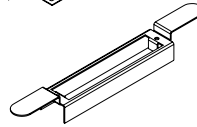
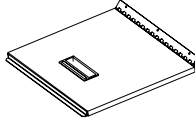
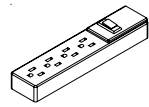
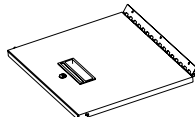
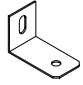

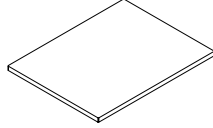
#27531 Wide Body LCD TV Cart

with 2 Pull-out Shelves & Locking Cabinet



Assembly Instructions

#27531 Wide Body LCD Cart

Part	Drawing	Description	Qty	Part	Drawing	Description	Qty
P1		Formed Leg "O"	2 EA	P13		Laptop Shelf 19x18	1 EA
P2		Formed Leg "X"	2 EA	P14		Left Support Tubes	1 EA
P3		Top Shelf	2 EA	P15		Right Support Tubes	1 EA
P4		Middle Shelf	1 EA	P16		Top LCD Bracket	1 EA
P5		Bottom Shelf	1 EA	P17		Bottom LCD Bracket w/Verticle Slots	1 EA
P6		Side Panel w/brackets	2 EA	P18		Verticle Adj Straps	2 EA
P7		Back Panel	1 EA	P19		Cord Winder	1 EA
P8		Left Door	1 EA	P20		Electrical Outlet	1 EA
P9		Right Door w/Lock	1 EA	<p>Tools required: Phillips Head Screwdriver, Adjustable Crescent Wrench</p> <div style="border: 2px solid black; padding: 10px; margin-top: 10px;"> <p>Missing Parts or UPS Damaged Parts For Your Convenience you can EMAIL us at <u>furniture@baltinc.com</u> 24HOURS 7 DAYS A WEEK</p> </div>			
P10		Angle Bracket-Lap Shelf	4 EA				
P11		Shelf Support	4 EA				
P12		Cabinet Shelf	1 EA				

Do not use unless all screws are tight. At least every six months, check all screws to be sure they are tight. If parts are missing, broken, damaged, or worn, stop use of the product until repairs are made by your dealer using factory authorized parts.

#27531 Wide Body LCD Cart



Hardware List

A		Sq Hd Screw M8x15mm	24 EA	B		Hex nut M8 w/Flange	24 EA
A1		Screw M5X70mm Pan Hd electrical	2 EA	B1		Hex nut M5 w/Flange electrical	2 EA
A2		Screw M8X25mm Pan Hd	4 EA	B2		Hex nut M8	4 EA
A3		Screw M6X35mm Pan Hd kb hangers	4 EA	B3		Hex nut M6 kb hangers	8 EA
A4		Screw M8X20mm SocketHd installed in end of monitor tubes	2 EA	C1		Flat Washer M5 for inside cabinet	24 EA
A5		Screw M8X25mm Dog Point back of monitor tube-Top	2 EA	C2		Flat Washer M8	4 EA
A6		Screw M8X25mm Cone Point back of monitor tube-Bottom	2 EA	D		4" Locking Caster	2 EA
A7		Screw Pan HD M5X10mm for inside cabinet	24 EA	E		4" Caster	2 EA
A8		Screw Pan HD M6X15mm	4 EA				

***Should you require assistance
during assembly,
please call our Customer Service Department
Monday - Friday
8 a.m. - 5 p.m.
Central Standard Time
1-800-749-2258***

Important

The Balt product you have purchased is guaranteed against material and workmanship defects. This guarantee extends 1 year from date of purchase. Should this product fail to function satisfactorily under normal use due to defect or imperfection, the defective part or product will be replaced. Damage caused by common carriers during shipment is not included in this guarantee.

This guarantee sets forth all applicable guarantees and remedies. No other warranty, expressed or implied shall apply. Failure to follow instructions found in Important Information Section of Owner Sheet shall void the guarantee. Consequential or incidental damages and or costs are not refundable.

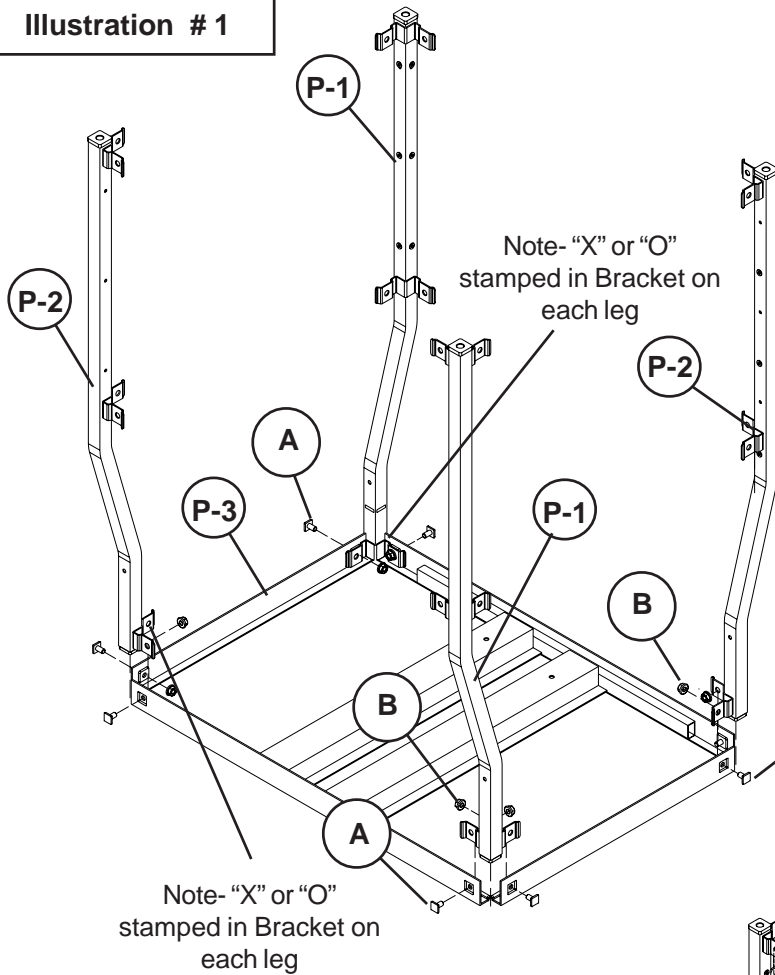
#27531 Wide Body LCD Cart Assembly Diagram



READ THROUGH INSTRUCTIONS FROM BEGINNING TO END BEFORE STARTING TO ASSEMBLE UNIT.

1.) Identify and Separate all the Parts and Hardware.

Illustration # 1

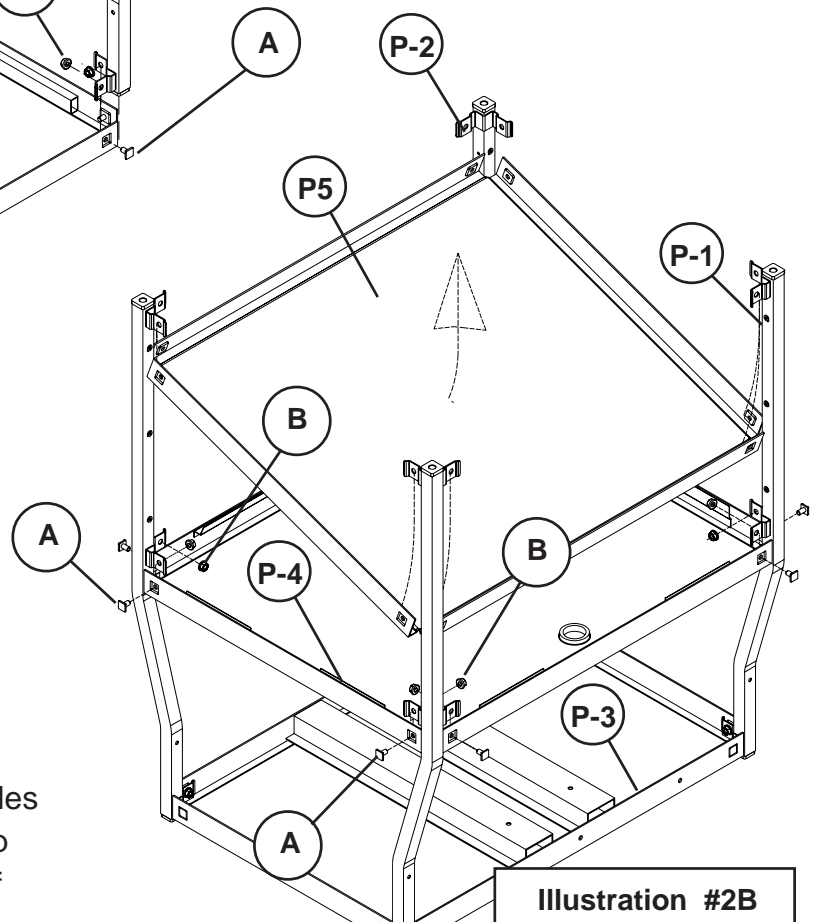
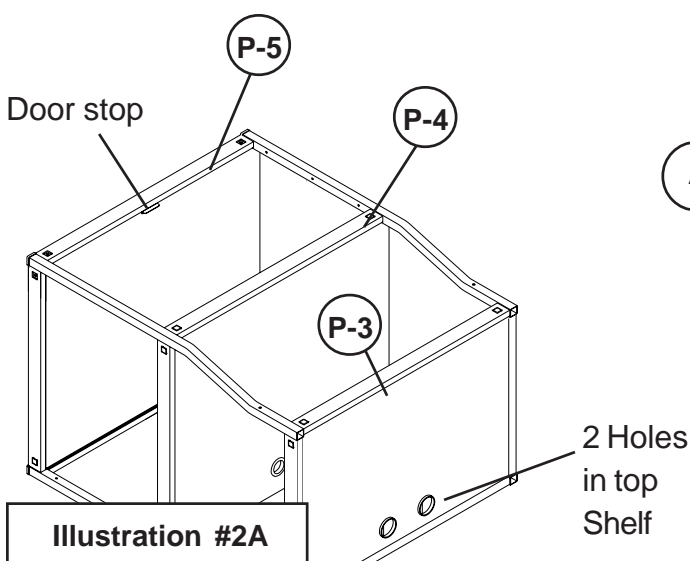


2.) Attach 2 Legs (P-1) and 2 Legs (P-2) to the Top Shelf (P-3) using 8 screws (A), and 8 Nuts (B).

3.) Slide Middle Shelf (P-4) in between the 4 Legs (P1 & P-2) and attach using 8 screws (A), and 8 Nuts (B) as shown in illustrations #2A & 2B.

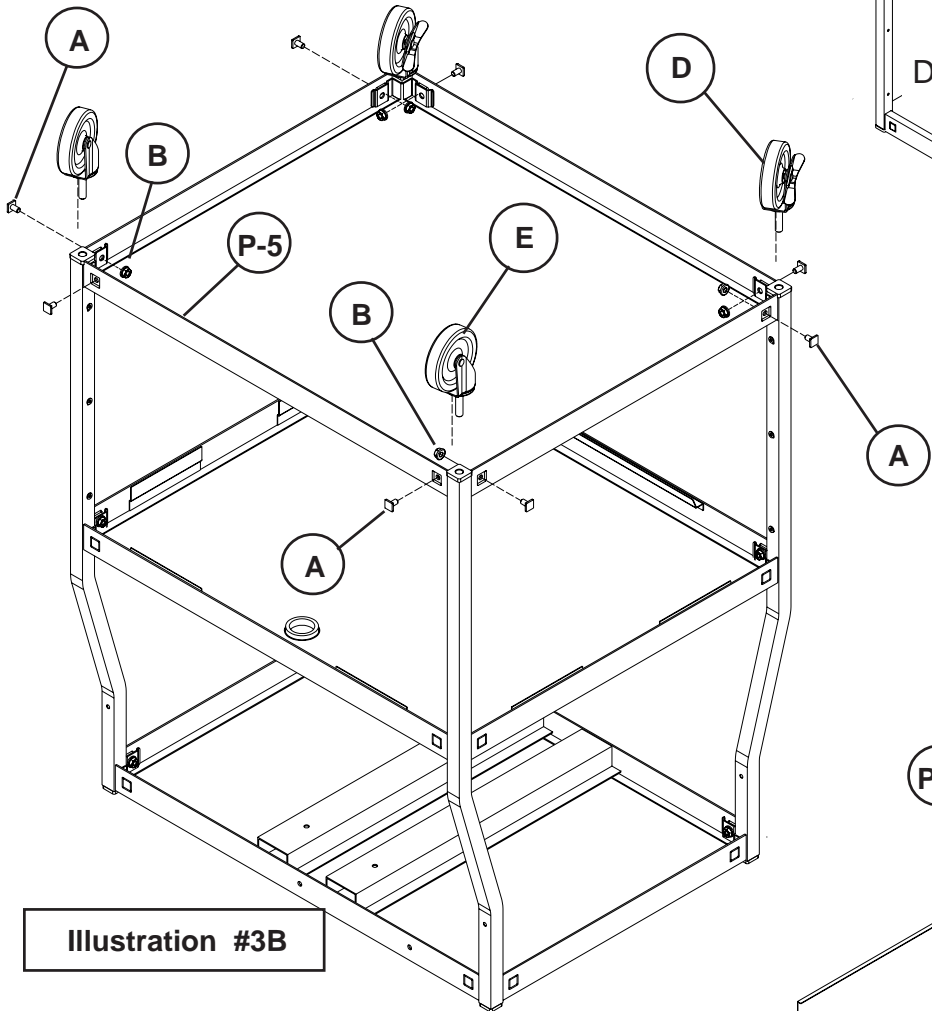
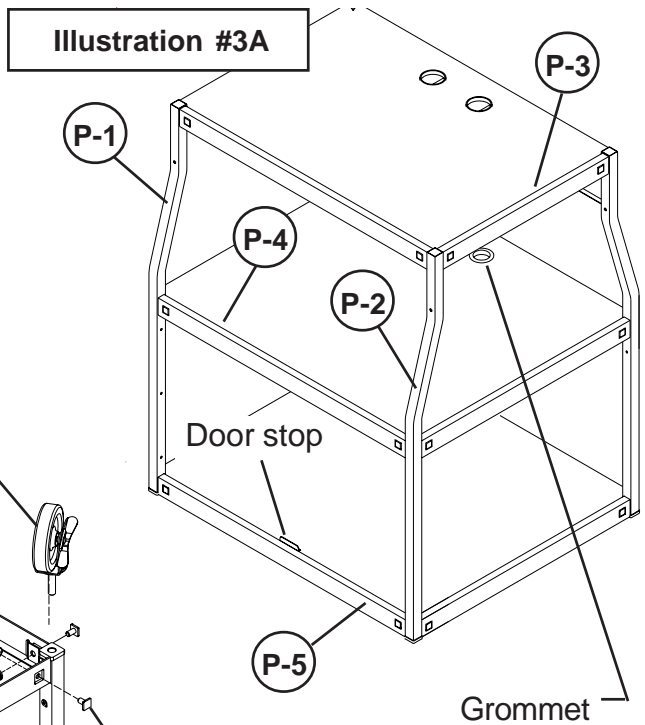
4.) Slide Bottom Shelf (P-5) in between the 4 Legs (P1 & P-2) as shown in illustrations #2A & 2B.

Note Shelf & Doorstop Locations

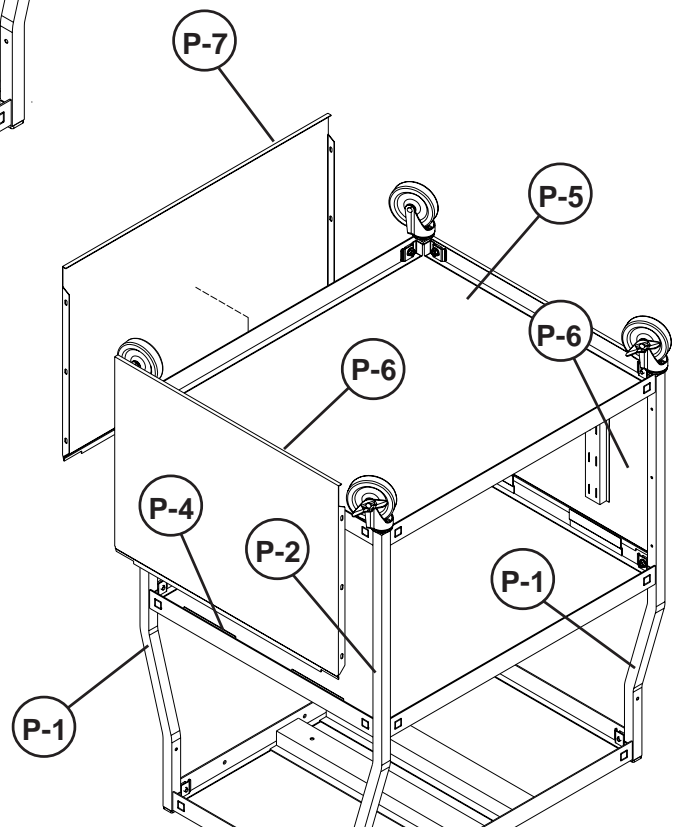


Note: Be sure that Door stop on Bottom Shelf (P5) is oriented toward the front of cart and grommet in Middle Shelf (P4) is toward the back as shown in illustration # 3A.

5.) Secure Bottom Shelf (P-5) to the 4 Legs (P-1 & P-2) using 4 screws (A) and 4 Nuts (B) as shown in illustration # 3A and 3B.



6.) Press 2 Locking Casters (D) and 2 non-locking casters (E) into the factory installed nylon inserts in the Base Cabinet (P-1) as shown in illustration #3B.



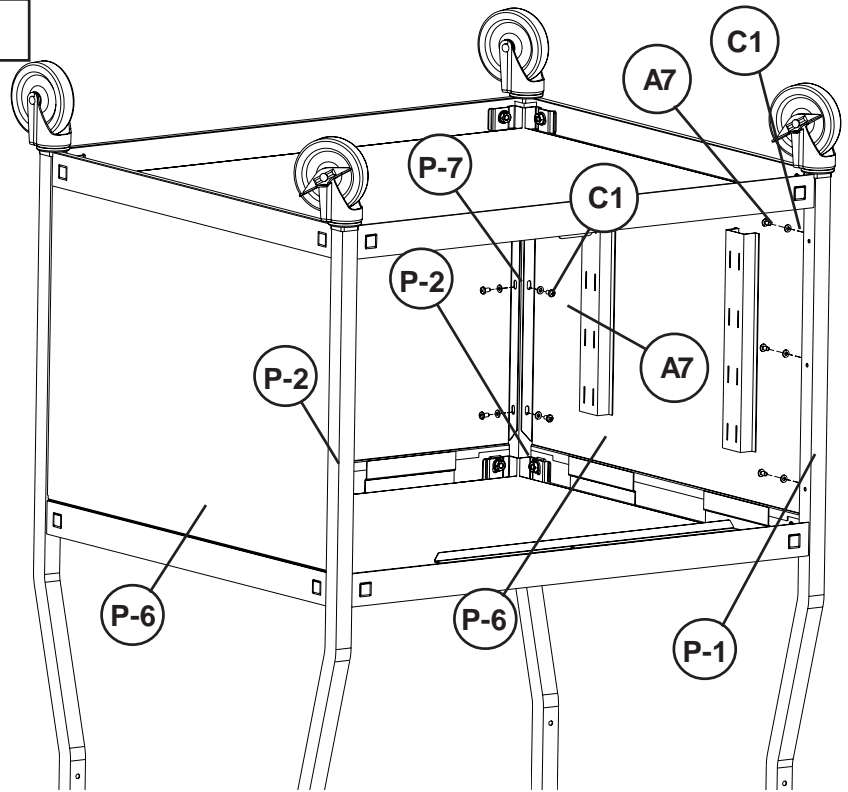
7.) Slide 2 side Panels (P-6) and Back Panel (P-7) between legs and into slot in bottom of Middle Shelf (P-4) as shown in illustration # 4.

Illustration #4



Illustration #5

Secure 2 side Panels (P-6) and Back Panel (P-7) to the Legs (P-1 & P-2) using 18 screws (A7) and 18 Washers (C1) as shown in illustration # 5.



8.) Remove Screws (A4) and 2 Washers (C2) from bottom of left and Right Support Tubes (P-14 & P-15) and attach to Top Shelf (P-3) as shown in illustration # 6.

9.) Attach Cord Winder (P-19) and Electrical Outlet (P-20) to Top Shelf (P-3) using 2 screws (A1) and 2 Nuts (B1).

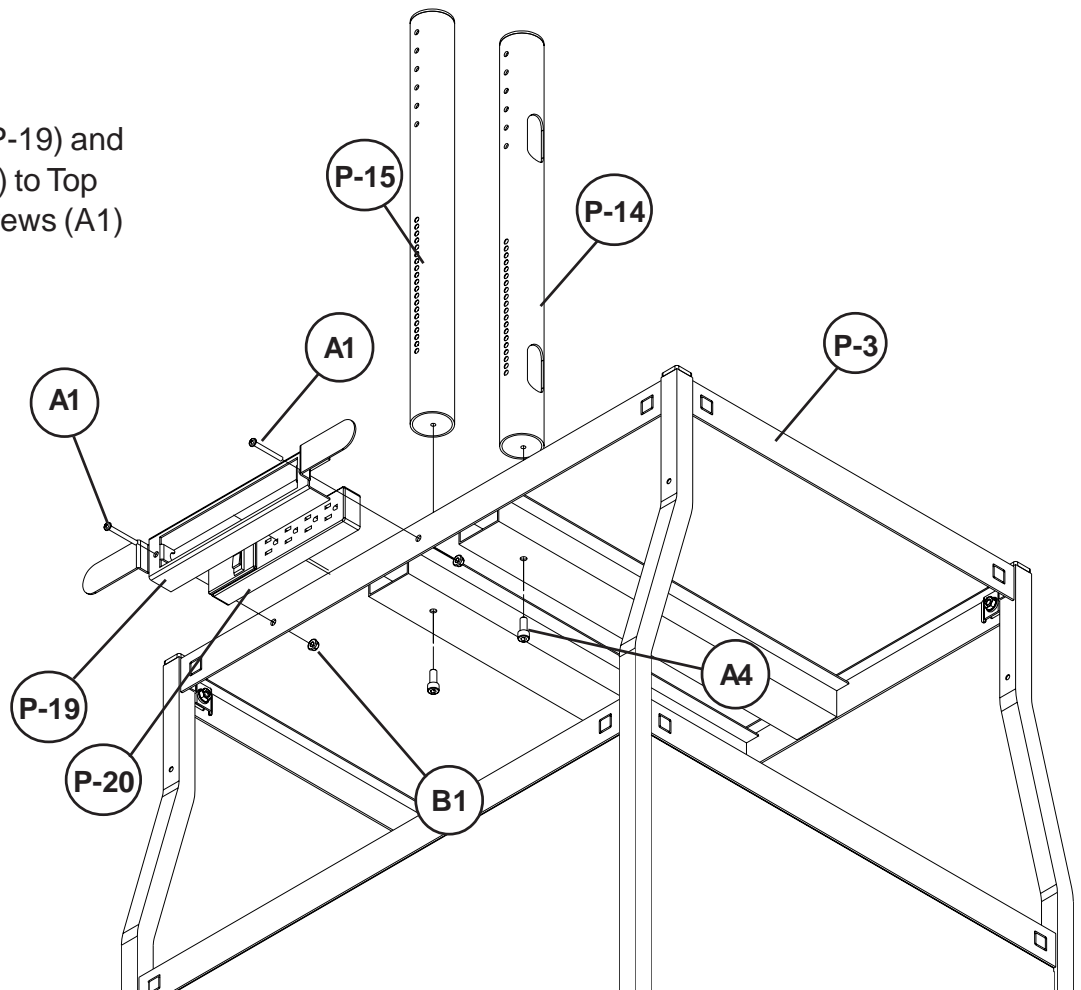
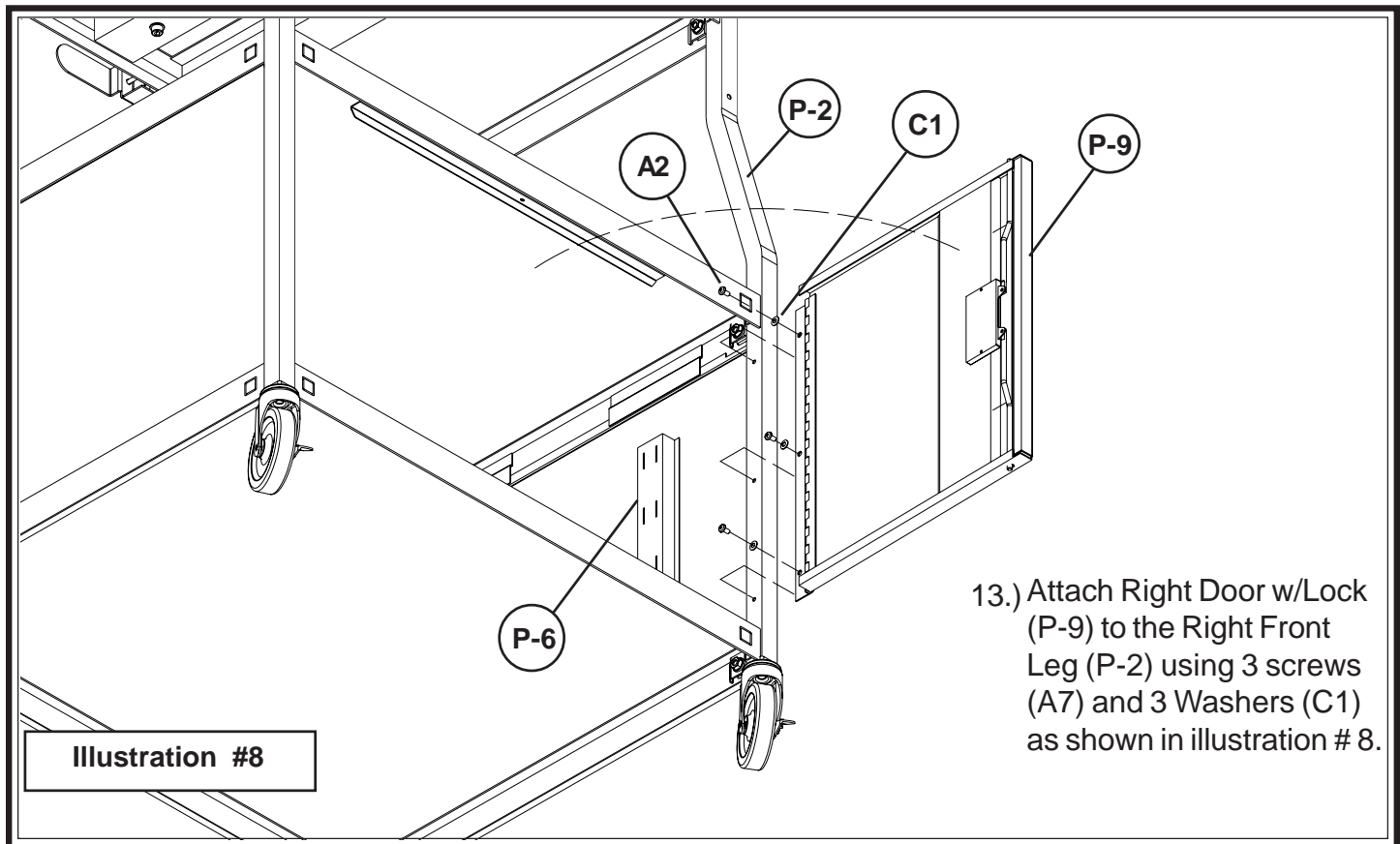
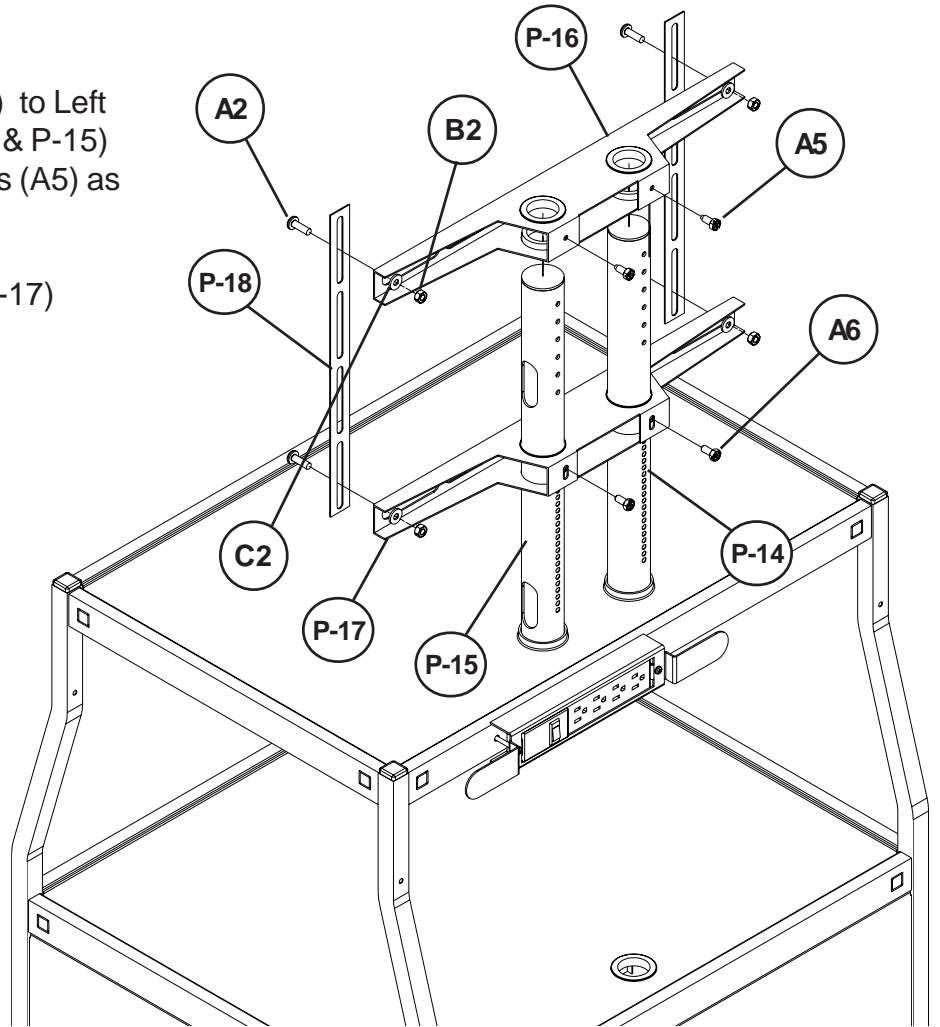


Illustration #6

Illustration #7

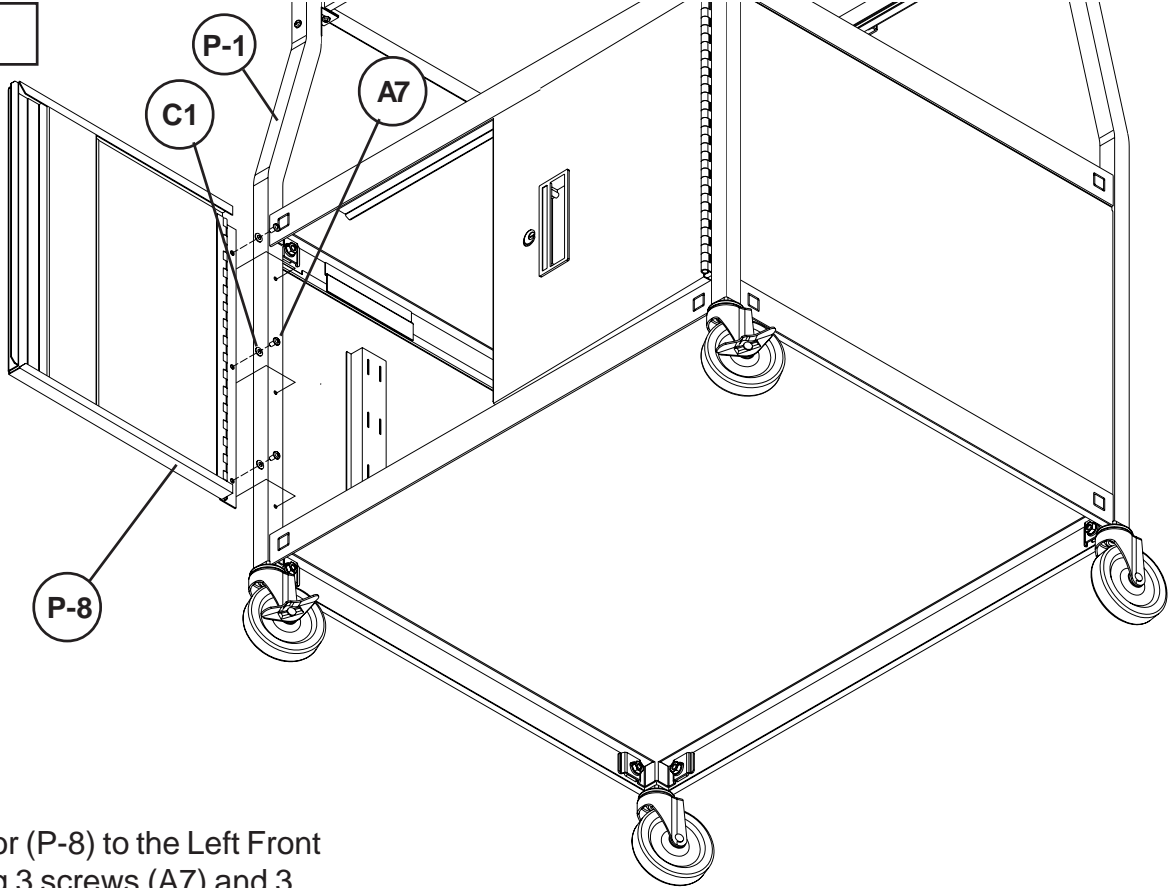
- 10.) Attach Top LCD Bracket (P-16) to Left and Right Support Tubes (P-14 & P-15) at desired height using 2 screws (A5) as shown in illustration # 7.
- 11.) Attach Bottom LCD Bracket (P-17) to Left and Right Support Tubes (P-14 & P-15) at desired height using 2 screws (A6).
- 12.) Attach 2 Vertical Adj Straps (P-18) to the Top LCD Bracket (P-16) and the Bottom LCD Bracket (P-17) at desired width using 4 screws (A2), 4 Washers (C2) and 4 Hex Nuts (B2).



- 13.) Attach Right Door w/Lock (P-9) to the Right Front Leg (P-2) using 3 screws (A7) and 3 Washers (C1) as shown in illustration # 8.

Illustration #8

Illustration #9



14.) Attach Left Door (P-8) to the Left Front Leg (P-1) using 3 screws (A7) and 3 Washers (C1) as shown in illustration # 9.

15.) Attach 4 angle Brackets (P-10) to the Laptop Shelf (P-13) using 4 screws (A8) and 4 Hex Nuts (B3) as shown in illustration # 10.

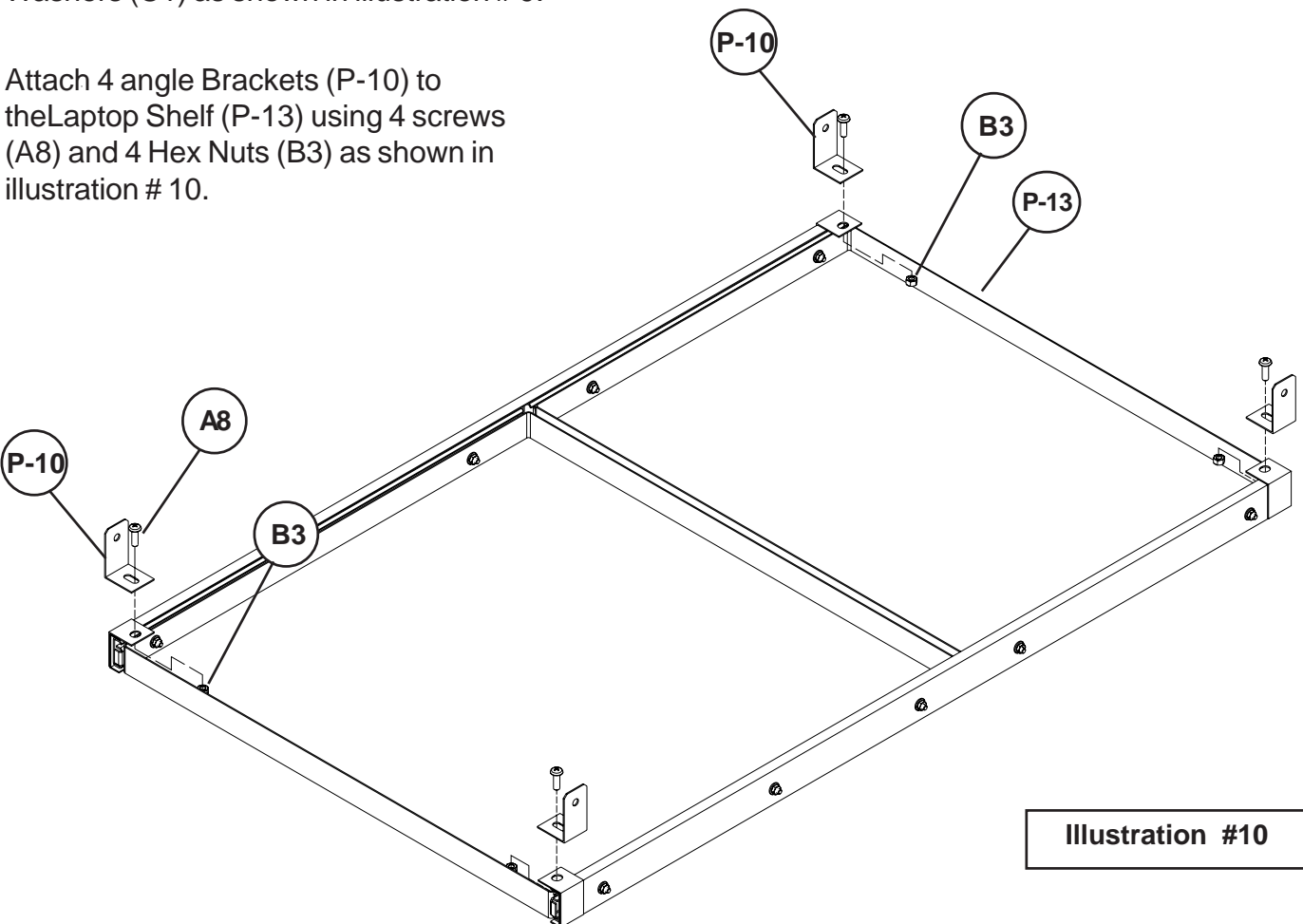


Illustration #10



22.) Attach 4 Angle Brackets (P-10) to the 4 Legs (P-1 & P-2) using 4 screws (A3) and 4 Nuts (B3) as shown in illustration # 11.

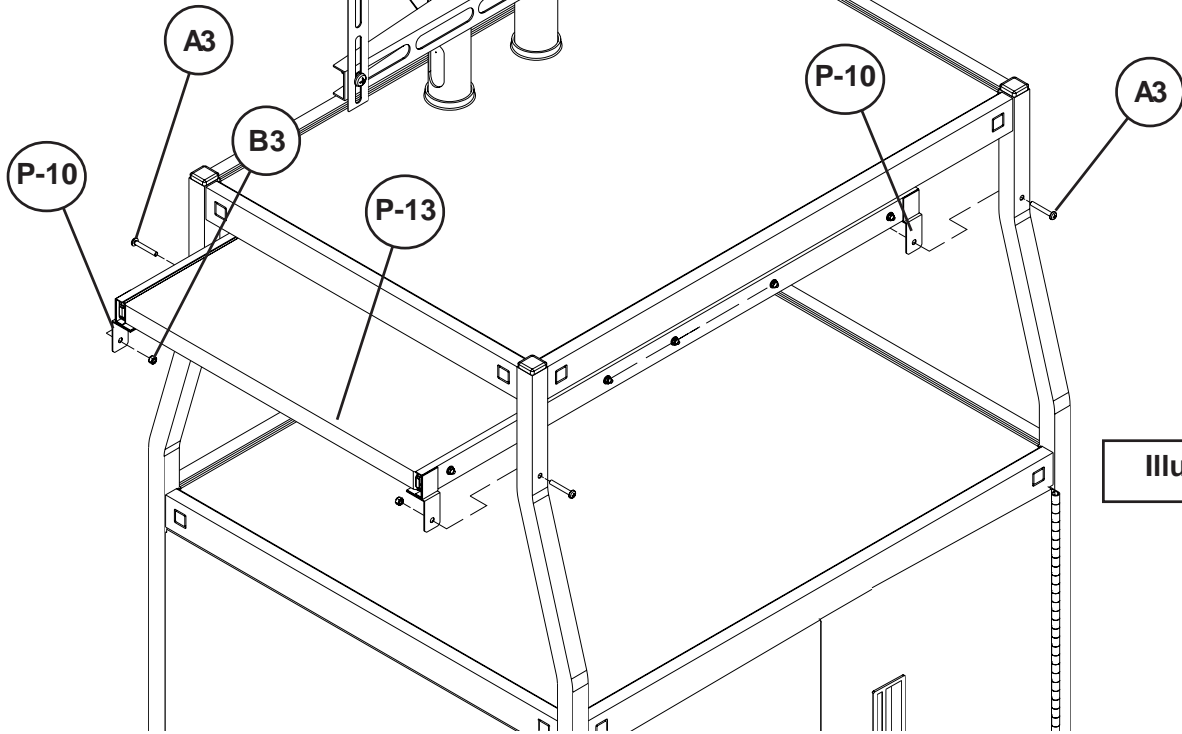


Illustration #11

23.) Insert 4 Shelf Supports (P-11) in the slots in the 2 Side Panels (P-6) as shown in illustration # 12.

24.) Place Cabinet Shelf (P-12) on top of Shelf Supports (P-11) as shown in illustration # 12.

Tighten all screws using Phillip's head screwdriver and Wrench. (Not Provided)

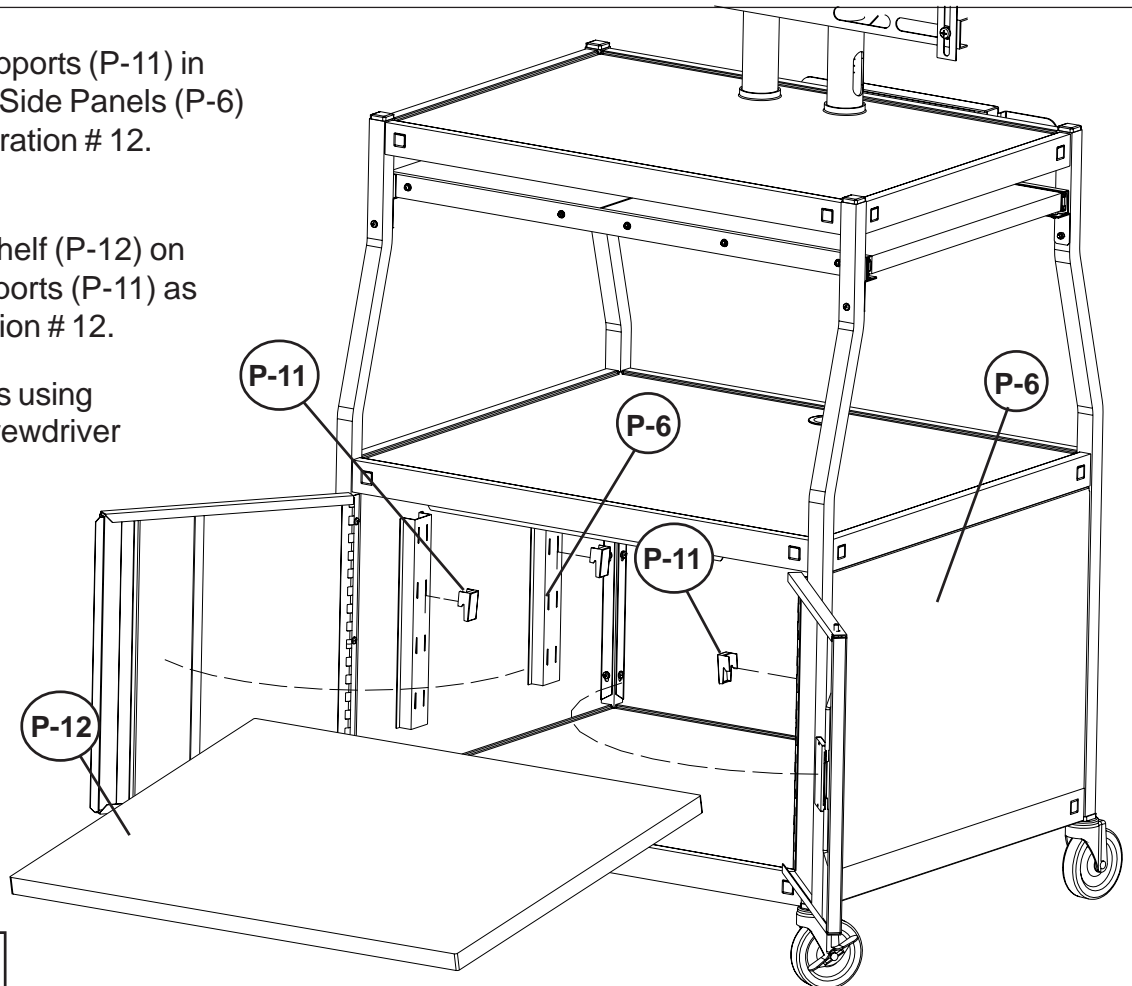


Illustration #12