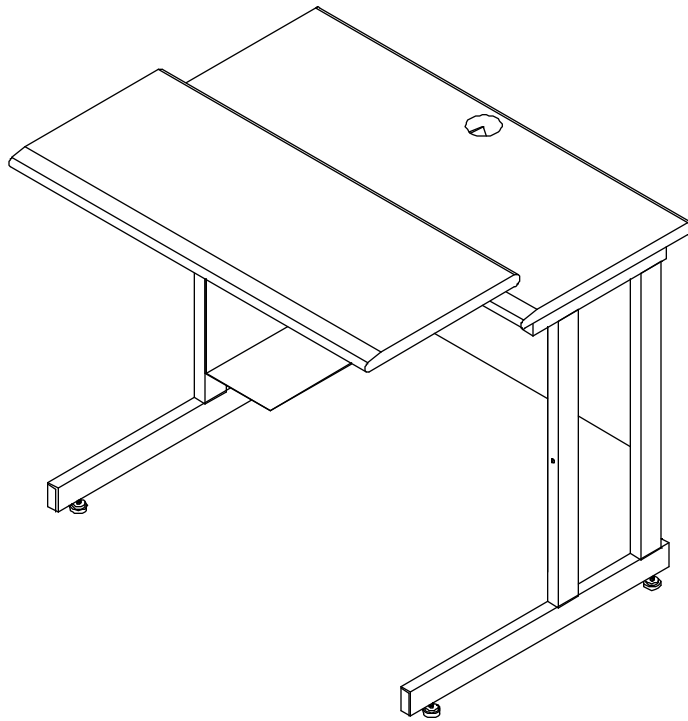




SMART-ONE 42

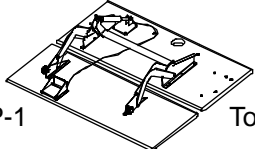

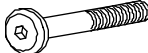



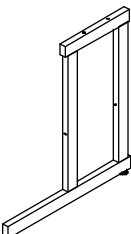
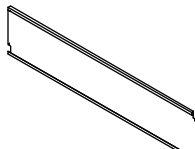
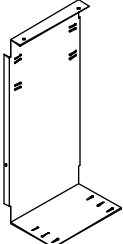
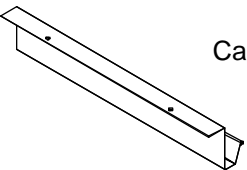
Single Student Standup-Sit down Workstation



Assembly Instructions

Smart-One42

Single Student Stand-Up/Sit down Workstation

Part	Drawing	Description	Qty	Part	Drawing	Description	Qty
P-1		Top Platforms w/Arms	1 EA	<div style="border: 2px solid black; padding: 10px;"> <p style="text-align: center;">Hardware List</p> <p>A  Short Flat Head Screw 4 EA</p> <p>A1  Long Flat Head Screw 4 EA</p> <p>B  1" Sheet Metal Screw 6 EA</p> <p>C  Flat Washer 4 EA</p> <p>F  Allen Wrench 1 EA</p> <p style="text-align: center; margin-top: 20px;">Tools required: 1 Phillips Screwdriver</p> </div>			
P-2		Leg Assembly	2 EA				
P-3		Metal Stability Panel	1 EA				
P-4		Formed CPU Holder	1 EA				
P-5		Cable Tray	1 EA				



Missing Parts or UPS Damaged Parts

For Your Convenience you can
EMAIL us at

furniture@baltinc.com

24HOURS 7 DAYS A WEEK

Should you require assistance during assembly,

please call our Customer Service Department

Monday - Friday 8 a.m. - 5 p.m.

Central Standard Time 1-800-749-2258

Smart-One42 Assembly Diagram



To Assemble:

1. Identify and Separate all the Parts and Hardware.
2. Attach the 2 each Leg Assemblies (P-2) to the Top Platform w/Arm (P-1) using 4 each Long Flat Head Screws (A1) as shown in illustration # 1.
(Finger tighten only.)
3. Attach Cable Tray (P-5) to the Top Platform w/Arm (P-1) using 2 each short screws (A) as shown in illustration # 1.

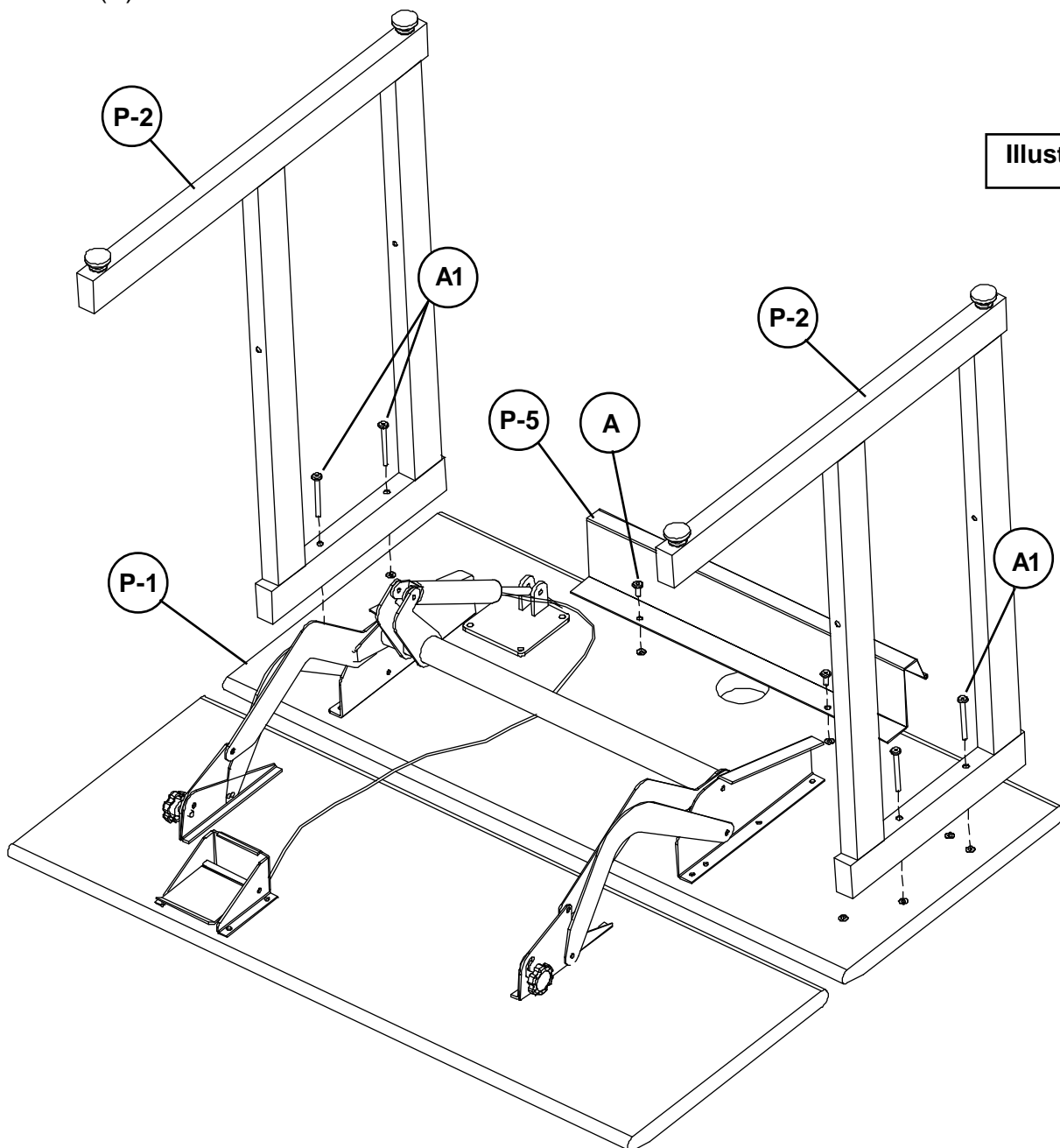
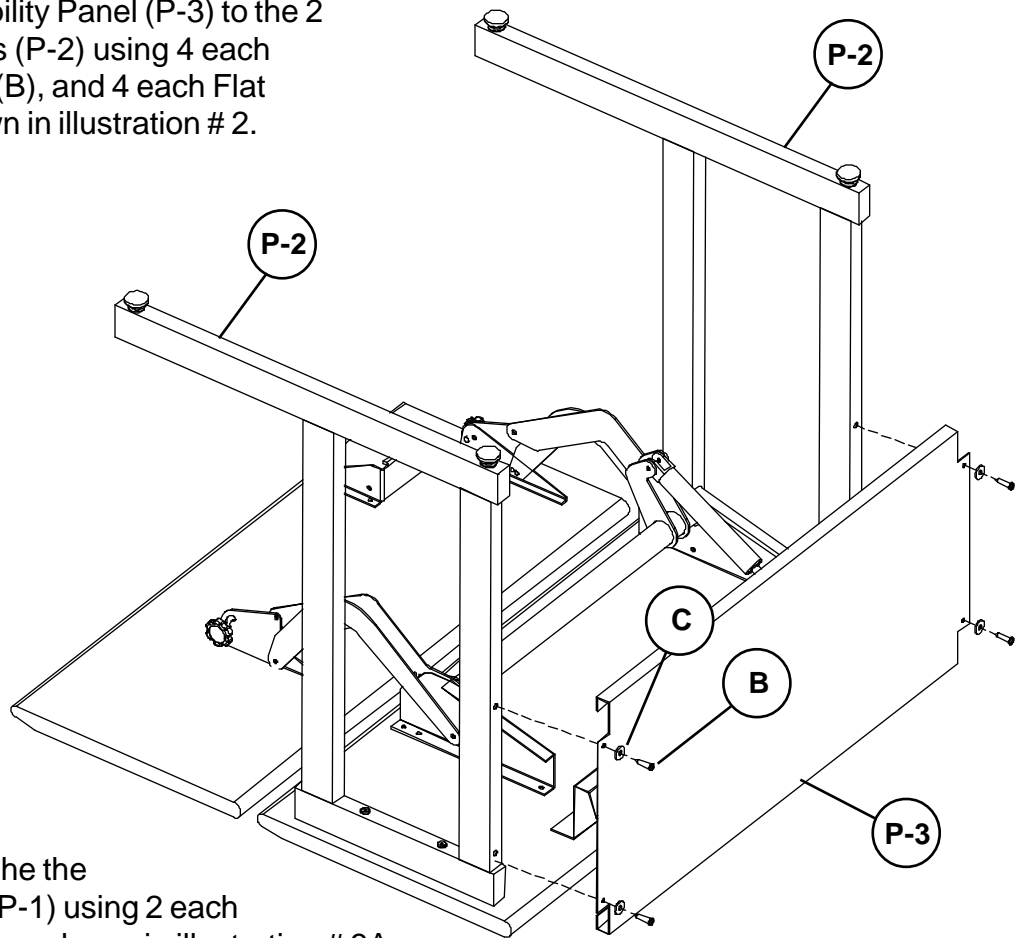


Illustration # 2

4. Attach the Metal Stability Panel (P-3) to the 2 each Leg Assemblies (P-2) using 4 each Sheet Metal Screws (B), and 4 each Flat Washers (C) as shown in illustration # 2.
(Finger tighten only.)



5. Attach Formed CPU Holder (P-4) to the the Top Platform w/Arm (P-1) using 2 each Flat Head screws (A) as shown in illustration # 3A.

6. Secure the Formed CPU Holder (P-4) to the Leg Assembly (P-2) using 2 each Sheet Metal Screws (B) as shown in illustration # 3B.

(Tighten all Screws using Allen Wrench F & Phillips Head Screwdriver.)

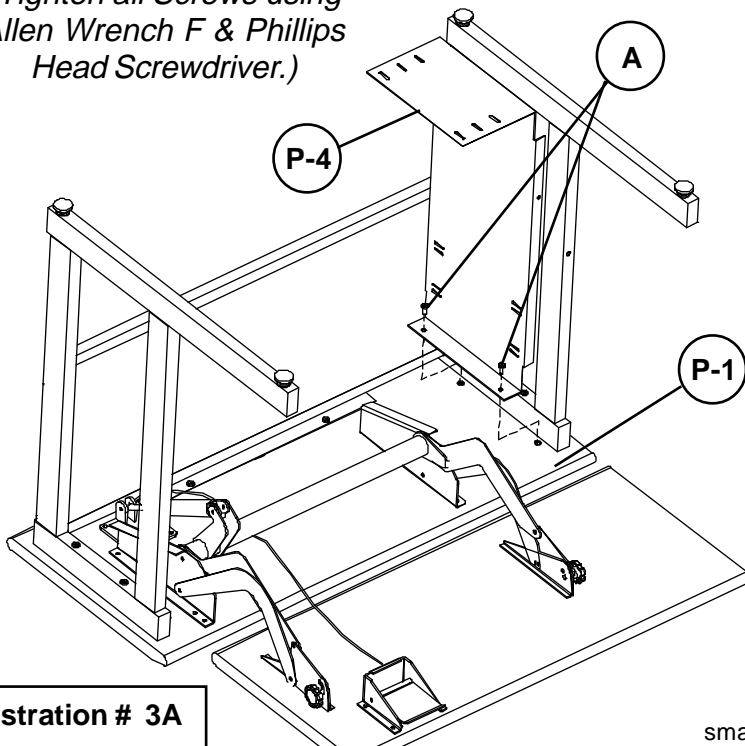


Illustration # 3A

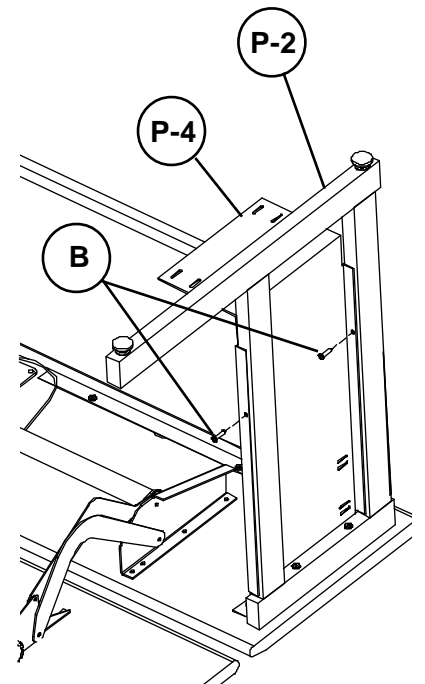


Illustration # 3B