

# BRETFORD BASICS™

## PRE-ASSEMBLED NOTEBOOK STORAGE CARTS

### LAP30EFR-GM, LAP30EBA-GM, LAP30ERBFR-GM, LAP30ERBBA-GM, LAP30EULFR-GM & LAP30EULBA-GM

Bretford's pre-assembled laptop storage cart stores and charges up to 30 computers. All steel construction with multiple-point locking doors and padlock deters theft and helps ensure the security of equipment. Finished in Grey Mist powder paint. Comes with two UL listed electrical assemblies and 5" or 8" casters, two rigid and two swivel with locking brakes.



### FEATURES

- Welded and fully assembled at the factory, simply uncrate and use.
- Stores and charges up to 30 laptop computers in individual compartments and provides room on the top shelf for a work surface or for use with printers.
- Top shelf comes with a non-slip rubber mat and features two grommet holes at the back for cord management and access to electrical units.
- Laptops lay flat, not on their side, when storing and charging.
- Includes two UL listed, 15 outlet electrical units with overload protection, on/off switch and 20' power cord for charging laptops and powering other equipment. Note: electrical units must be plugged into separate circuits to prevent tripping breaker when all outlets are in use.
- Electrical units can be ordered installed inside the front or the back of the cart.
- Optional automatic timer/charger unit available providing ability to charge all laptops using one circuit. Timer is included in the UL Listed version of the cart. In either case, the timer is installed inside the rear of the cart with access through cut outs in the back panel.
- Cart also features an additional UL listed 3-outlet electrical unit which attaches to the rear of the cart to power accessory equipment.
- Rear grommet holes and cord winders on the back panel allow the extra electrical power cord to be neatly wound up out of the way when moving the cart from one place to another.
- Steel construction containing 30% post-consumer recycled material with bolting doors and a re-programmable padlock helps to deter theft, padlock included.
- Doors, rear and side panels are perforated to allow the ventilation of equipment when charging.
- Built in handle aids in moving the cart.
- Standard 5" casters provide easy mobility over carpet order with 8" soft rubber casters that are ideal for transporting over rough surfaces or between two buildings, both include locking brakes.

## DIMENSIONS

LAP30EFR-GM, LAP30EBA-GM, LAP30EULFR-GM &

LAP30EULBA-GM Overall:

42-1/2"w x 24"d x 47-5/16"h

LAP30ERBFR-GM & LAP30ERBBA-GM Overall:

42-1/2"w x 24"d x 50-13/16"h

Space Available for Each Laptop:

12"w x 17"d x 3"h

## COLOR & FINISH

Grey Mist (-GM) powder paint

## STANDARD EQUIPMENT

42-1/4"w x 20-1/4"d Top Shelf (1)

42-1/4"w x 20-1/4"d Bottom Shelf (1)

40-1/4"w x 17"d Interior Shelves (7)

15 Outlet Electrical Units (2)

3 Outlet Electrical Unit (1)

Leg Supports (4)

5" Plate Casters (4) or 8" Soft Rubber Tires (4)

Handle (1)

Three Dial Combination Padlock (1)

Rubber Mat (1)

## WEIGHT AND FREIGHT CLASS

LAP30EULFR-GM & LAP30EULBA-GM: 272 lbs., Freight class 125

Ships assembled in one (1) carton

LAP30EFR-GM & LAP30EBA-GM: 222 lbs., Freight class 125

Ships assembled in one (1) carton

LAP30ERBFR-GM & LAP30ERBBA-GM: 292 lbs., Freight class 125

Ships assembled in one (1) carton

## CARTON DIMENSIONS & UPC CODE

LAP30EULFR-GM - Front Electrical Units, Timer - 0 96633 22937 6

LAP30EULBA-GM - Rear Electrical Units, 5" Timer - 0 96633 22936 9

Box Dims: 46-1/2"W x 25-1/2"D x 41-3/4"H / 272 lbs.

LAP30EFR-GM - Front Electrical Units, 5" Casters - 0 96633 22752 5

LAP30EBA-GM - Rear Electrical Units, 5" Casters - 0 96633 22751 8

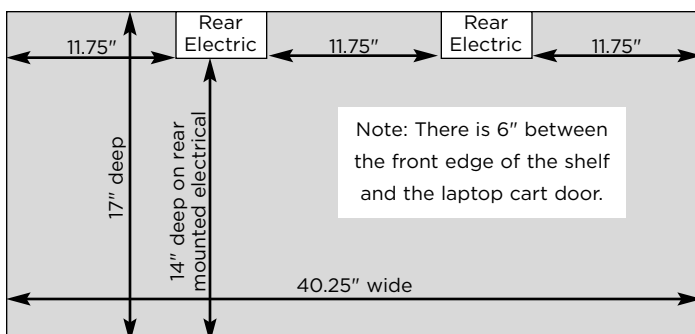
Box Dims: 46-1/2"W x 25-1/2"D x 41-3/4"H / 242 lbs.

LAP30ERBFR-GM - Front Electrical Units, 8" Casters - 0 96633 22758 7

LAP30ERBBA-GM - Rear Electrical Units, 8" Casters - 0 96633 22757 0

Box Dims: 49"w x 25-1/2"d x 45-1/2"h / 292 lbs.

## SHELF DIMENSIONS FOR LAPTOP COMPUTERS



## SUGGESTED SPECIFICATIONS

Pre-Assembled Notebook Storage Cart shall have one (1) 42-1/4"w x 24"d, 18-gauge steel work surface shelf which shall have two (2) 2" diameter grommet holes in rear of shelf. The underside of the work surface shall have one (1) 18-gauge stiffener with two 28.5mm holes for optional security cable. Work surface shall be covered with black rubber mat. Cart shall also have one (1) 42-1/4"w x 24"d, 18-gauge steel bottom shelf, nine (9) 40-1/4"w x 17"d, 18-gauge interior shelves, two (2) 34-3/8"h x 18-1/2"w, 20-gauge outer and inside panels, one (1) 40-1/2"w x 34-3/8"d, 20-gauge back panel and two (2) 34-3/8"w x 20-1/8"d, 20-gauge doors. Doors shall have multiple-point locking system with re-programmable, three-dial combination padlock. Interior shelves shall have 2 x 2 cut-outs in rear corners. Back panel has two (2) 2" diameter grommet holes located at the bottom rear and on outside back panel there are two (2) cord winders for cord management. Back panel also has two cut outs to accommodate the automatic timer near the bottom of the cart. All panels shall have ventilation holes throughout. Unit shall have two (2) UL listed, 15-outlet electrical units which shall be attached inside the cart to top and bottom shelves. Electrical units can be ordered installed inside the front or back of the cart. Unit also shall have one three (3) outlet electrical unit which attaches to the back of the unit. Unit has four (4) 5" plate casters, two rigid and two swivel, or four (4) 8" soft rubber casters, two rigid and two swivel, with locking brakes. Cart shall have two (2) push handles. Each model painted in grey powder coated paint and constructed from "prime" steel which contains 25% to 35% post-consumer materials. Ships pre-assembled by truck only. Ships pre-assembled by truck only. UL Listed carts shall also include an automatic timer installed inside the rear of the cart with access through holes cut in the back panel (see photograph below).

## ELECTRICAL UNIT SPECIFICATIONS

Electrical units are UL listed, overload protected, includes a 20' power cord, and have an on/off switch located at the base. When using both electrical units at the same time, each unit must be plugged into outlets on separate electrical circuits. This is to prevent the overload and tripping of the circuit breaker. The electrical units are rated for a maximum of 15 amps usage each, however, to prevent nuisance tripping of the breaker you should not exceed 13 amps of usage each for an extended period of time.



OPTIONAL: LAPTMR AUTOMATIC TIMER ALLOWS BOTH CHARGING UNITS TO BE PLUGGED INTO THE TIMER



NOTEBOOK CARTS CAN BE ORDERED WITH 8" RUBBER CASTERS PERFECT FOR MOVING LAPTOPS ACROSS CAMPUS

11000 SEYMOUR AVENUE  
FRANKLIN PARK, ILLINOIS 60131 USA  
TOLL FREE PHONE 800-521-9614  
PHONE 847-678-2545  
TOLL FREE FAX 800-343-1779  
FAX 847-678-0852  
WWW.BRETFORD.COM