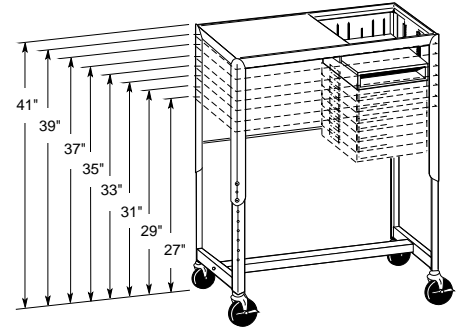


AOH2741 Adjustable Overhead Projector Table Assembly Instructions

Please read these Instructions thoroughly before assembling your new Bretford product.



STEP 1

Secure the two Leg Assemblies (B) together with the Connection Bar (F) by using (2) Hex Head Screws (EE) and (2) Lock Nuts (CC). This makes the H-Frame bottom section.

Lay the table on a clean flat surface with the top section (A) flat and the H-Frame bottom section facing up. (See figure 1) The table is height-adjustable from 27" to 41" (with casters installed). To assemble, pull the lower section of the table up to the desired height, insert a 3/4" round head screw (AA) into the height-adjustment hole from the outside and fasten with a square nut (BB). Install remaining screws and nuts to all other legs of the table. Tighten securely.

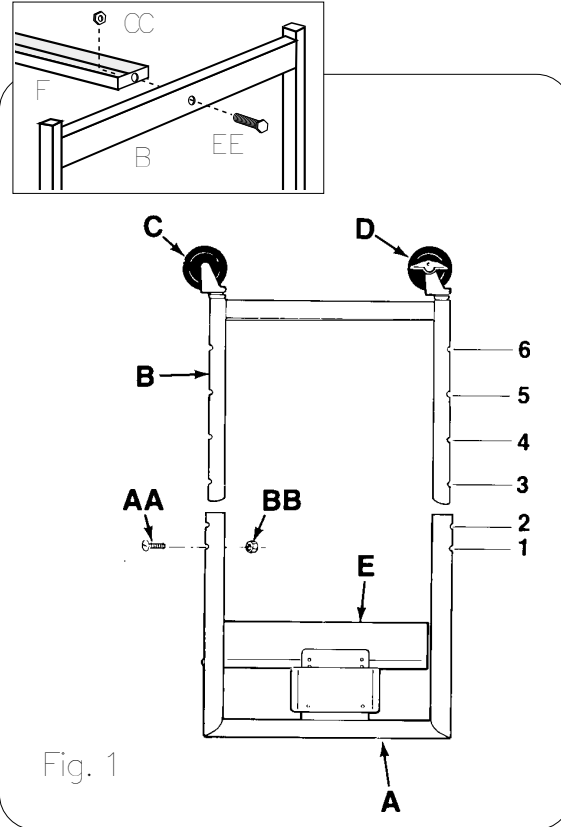


Fig. 1

STEP 2

Insert the casters (C,D) into the sockets at the base of each leg.

STEP 3

The projector shelf has been pre-assembled at the factory but can be adjusted to the desired height once the table is assembled. To adjust the projector shelf (E), determine the desired height, remove the screws (DD) holding the shelf in place, slide the shelf into position, and replace the screws. (See figure 2) Tighten all screws securely before placing your overhead projector in position. Attach the optional E-Unit electrical assembly to the table using the screws and wing nuts provided.

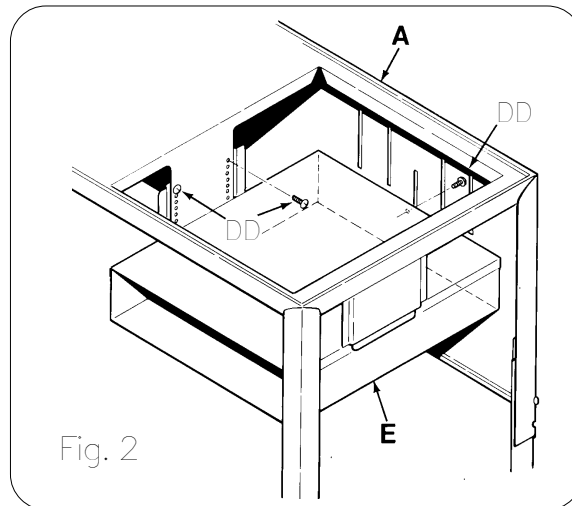


Fig. 2

PARTS LIST

| QTY | PART NUMBER | DESCRIPTION |
|-------|-------------|-----------------------------|
| A (1) | 022-1695 | Top Section Assembly |
| B (2) | 022-1694 | Side Leg Assemblies |
| C (2) | 015-0002 | 4" Swivel Caster |
| D (2) | 015-0003 | 4" Swivel Caster with brake |
| E (1) | 022-1638 | Projector Shelf Assembly |
| F (1) | 010-2336 | Leg Assembly Connecting Bar |

HARDWARE

| QTY | PART NUMBER | DESCRIPTION |
|---------|-------------|------------------------------|
| AA (8) | 030-0253 | 3/4" Combo. Round Head Screw |
| BB (8) | 030-0120 | 1/4-20 Square Nut |
| CC (2) | 030-0421 | 5/16-18 Hex Lock Nut |
| DD (5)* | 030-0325 | 1/2" Combo Truss Head Screw |
| EE (2) | 030-0307 | 5/16-18x5/8" Hex Head MS |

*installed in projector shelf at factory

Bretford
11000 Seymour Avenue
Franklin Park, IL 60131
TEL: 847.678.2545
800.521.9614
FAX: 847.678.0852
800.343.1779

Bretford Ltd.
Technology House
7 Lake End Court, Taplow
Bucks SL6 0JQ England
TEL: 01628 603558
FAX: 01628 604923