

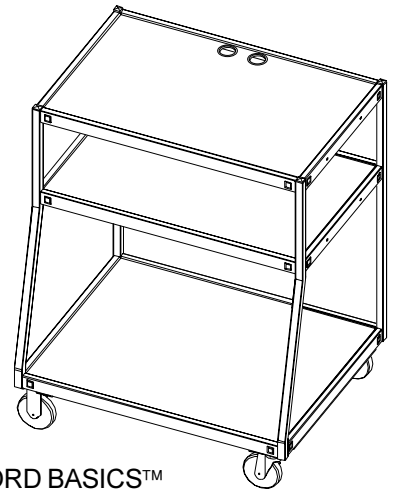


**BRETTFORD™**

**BBUL4435**

**WIDE BODY TV CART**

**Assembly Instructions**



BRETTFORD BASICS™

**Maximum monitor size: 35" diagonal screen**

**PARTS LIST**

Qty	Part No.	Description	Qty
1	010-3306	Top/Middle Shelf	24
1	022-2019	Top Shelf	24
1	022-2020	Bottom Shelf	12
1	022-2025	Right Front Leg	1
1	022-2026	Left Front Leg	
2	022-2027	Rear Legs	
2	015-0104	5" Caster w/o Brake - Rigid	
2	015-0087	5" Caster w/ Brake	
1	RM4435	Rubber Mat	
1	SBRT	Ratchet Safety Belt	

**HARDWARE LIST**

Qty	Part No.	Description
AA	030-0300	5/8" Square Head Bolt
BB	030-0002	5/16-18 Serrated Nut
DD	030-0307	5/16-18 x 5/8" Hex Head Screw
	010-1106	Hex Wrench - Flat

**TOOLS REQUIRED**

- Hex Wrench - Flat (supplied)
- 1/2" Open End/Box Wrench

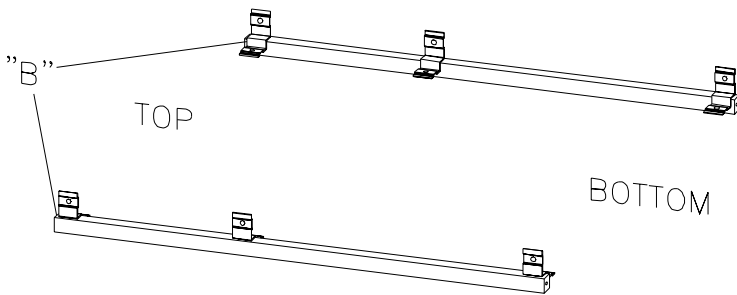


FIGURE 1

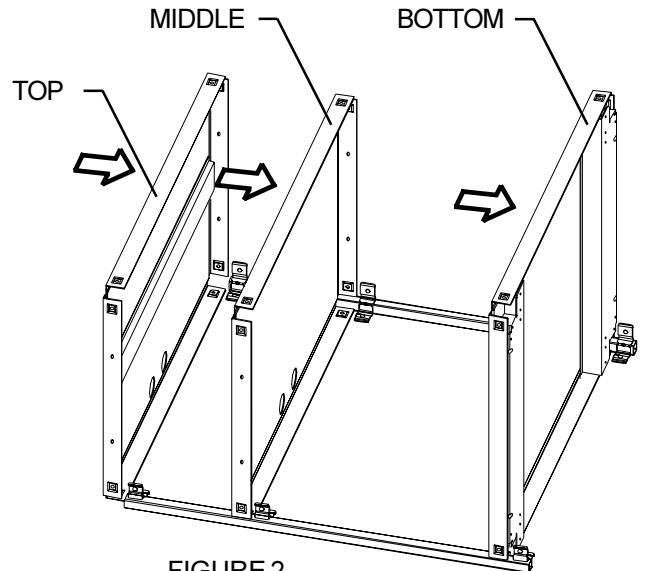


FIGURE 2

**STEP 1**

Lay the rear legs (the straight ones) on a carpeted surface with brackets facing in and up as shown in **Figure 1**. **NOTE:** Each rear leg has a letter "B" stamped above the bracket to represent the top of the leg. Slide each shelf onto the legs so that the bracket is inside the shelf as shown in **Figure 2**.

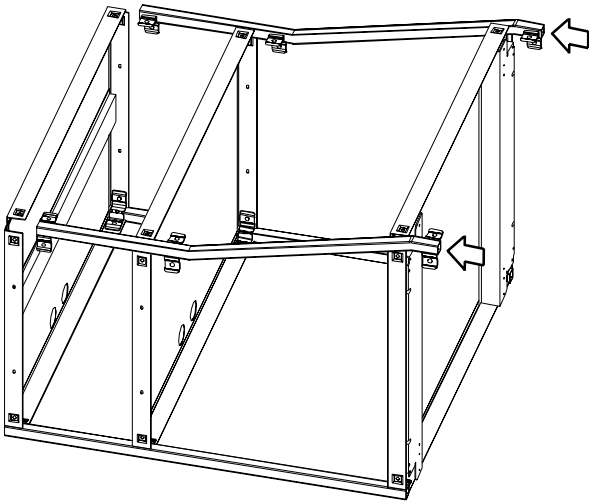


FIGURE 3

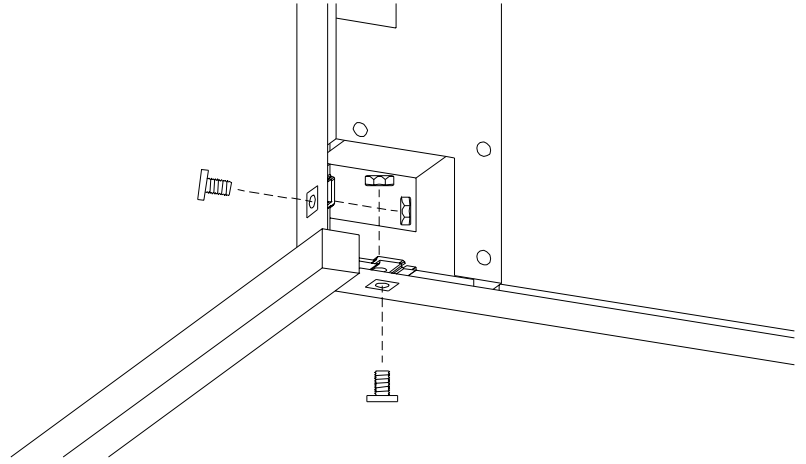
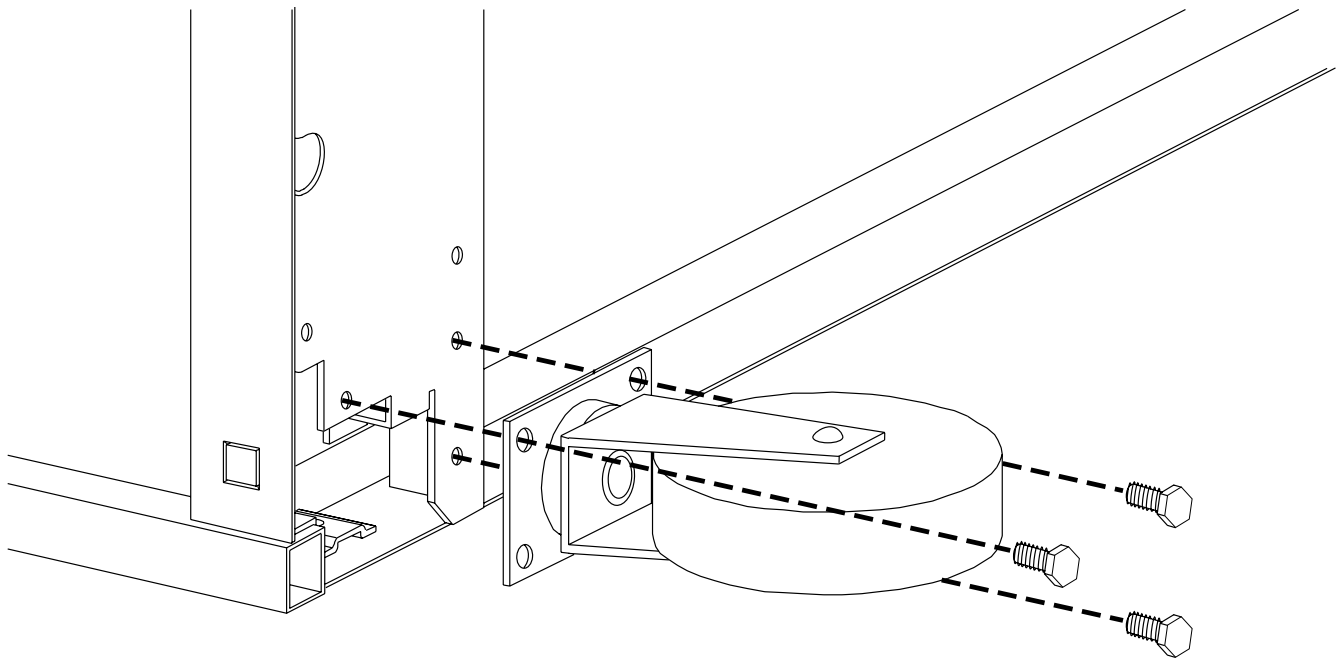
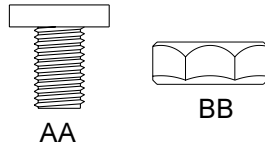


FIGURE 4

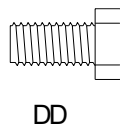
### STEP 2

Slide the 2 front legs onto the shelves so that the brackets are inside the shelves as shown in **Figure 3**. Secure each corner of the shelves and legs together with two bolts (AA) and two nuts (BB) using the flat hex wrench as shown in **Figure 4**.

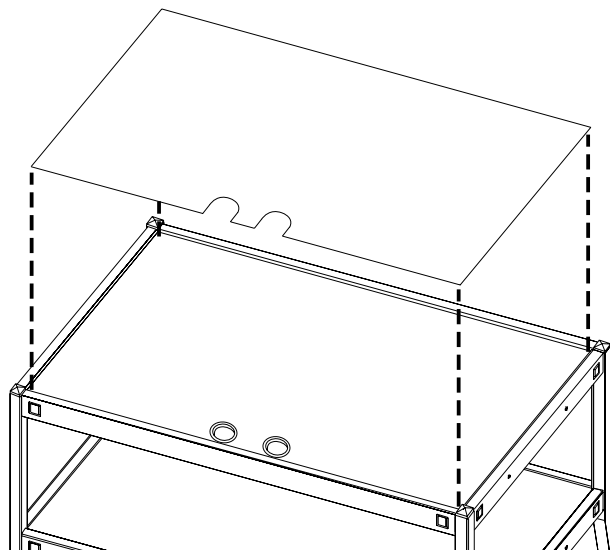


### STEP 3

Attach each castor to the bottom shelf stiffener with three bolts (DD) using a 1/2" open end/ box wrench as shown. Make sure the castors with brakes are positioned at one end (side) of the cart and the fixed at the other end (side).



DD

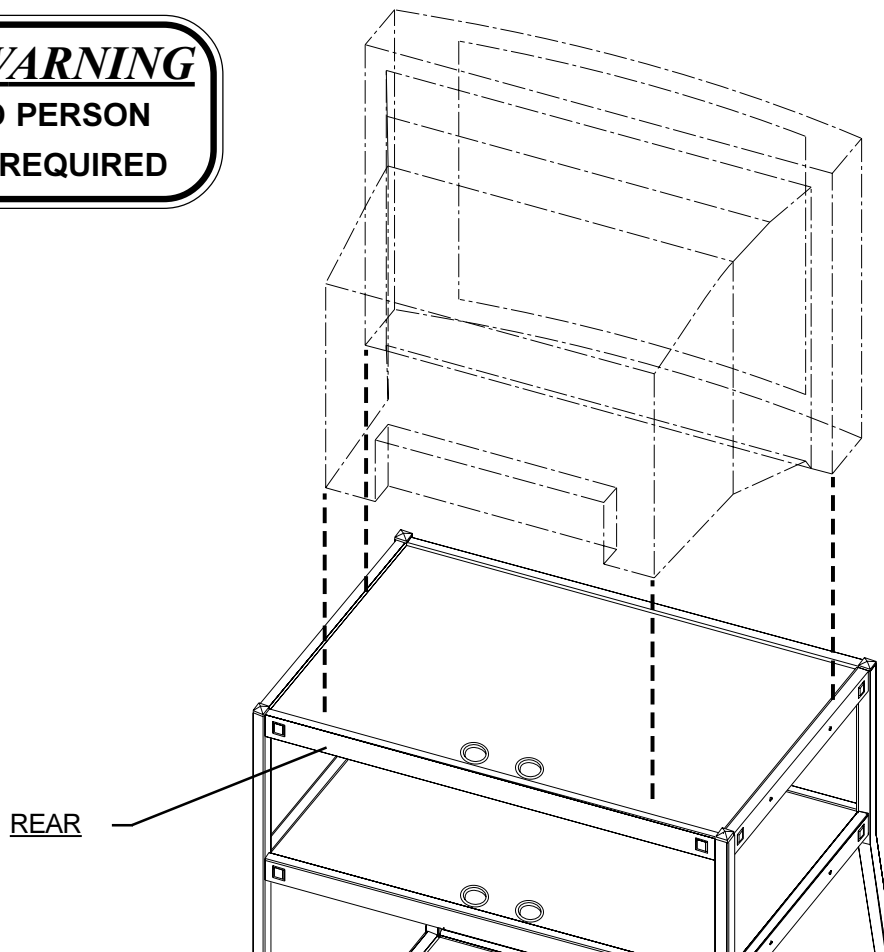


#### STEP 4

Place the mat onto the top shelf with the two slots in the mat aligned over the two grommet holes in the shelf.

### ***SAFETY WARNING***

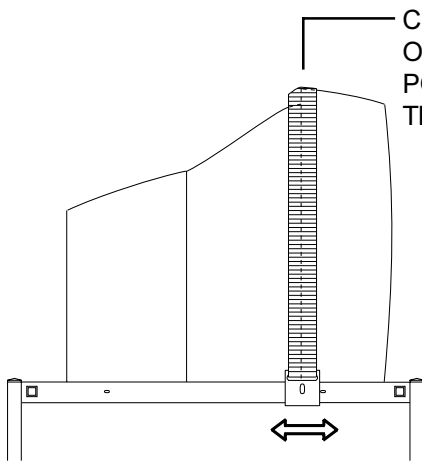
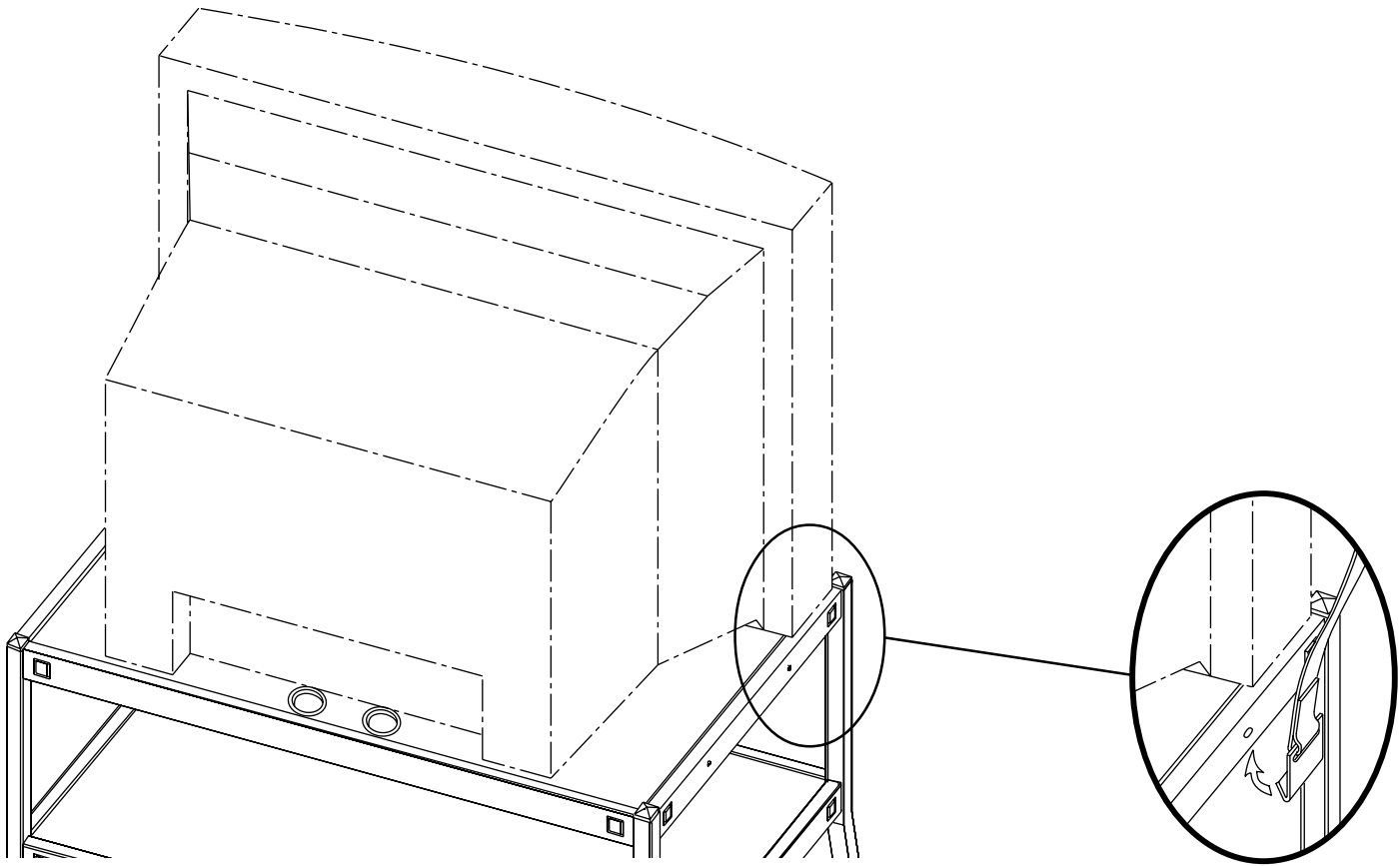
**Note: TWO PERSON  
ASSEMBLY REQUIRED**



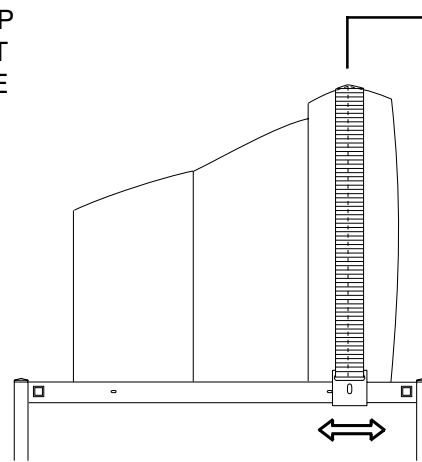
#### STEP 5

### **Lock all brakes prior to monitor installation**

Carefully raise the monitor and place it onto the cart as shown. Position the monitor at equal distances from side to side and from front to rear.



CENTER STRAP  
ONTO HIGHEST  
POINT BEFORE  
TIGHTENING



CENTER STRAP  
ONTO HIGHEST  
POINT BEFORE  
TIGHTENING

### STEP 6

The above pictures are used for safety belt location. To attach safety belt consult the instructions that are provided with the safety belt.

**Unlock the brakes to position your cart assembly**

**Bretford**  
11000 Seymour Avenue  
Franklin Park, IL 60131  
TEL: 847.678.2545  
800.521.9614  
FAX: 847.678.0852  
800.343.1779

**Bretford Ltd.**  
Technology House  
2 Etongate, 110 Windsor Road  
Slough, Berkshire SL1 2JA England  
TEL: 01753 53 99 55  
FAX: 01753 53 94 78

[www.bretford.com](http://www.bretford.com)

Part#031-3478  
Rev. 01.12.05 CH