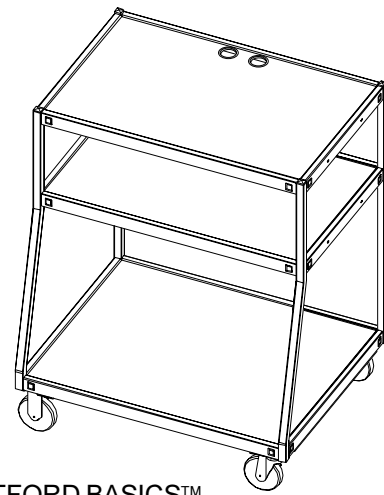




BBUL4440

WIDE BODY TV CART

Assembly Instructions



BRETTFORD BASICS™

Maximum monitor size: 40" diagonal screen

PARTS LIST

Qty	Part No.	Description	Qty
1	010-3311	Top/Middle Shelf	24
1	022-2021	Top Shelf	24
1	022-2022	Bottom Shelf	12
1	022-2025	Left Front Leg	1
1	022-2026	Right Front Leg	
2	022-2027	Rear Legs	
2	015-0104	5" Caster w/o Brake - Rigid	
2	015-0087	5" Caster w/ Brake	
1	RM4440	Rubber Mat	
1	SBRT	Ratchet Safety Belt	

HARDWARE LIST

Qty	Part No.	Description
	AA	030-0300 5/8" Square Head Bolt
	BB	030-0002 5/16-18 Serrated Nut
	DD	030-0307 5/16-18 x 5/8" Hex Head Screw
	010-1106	Hex Wrench - Flat

TOOLS REQUIRED

- Hex Wrench - Flat (supplied)
- 1/2" Open End/Box Wrench

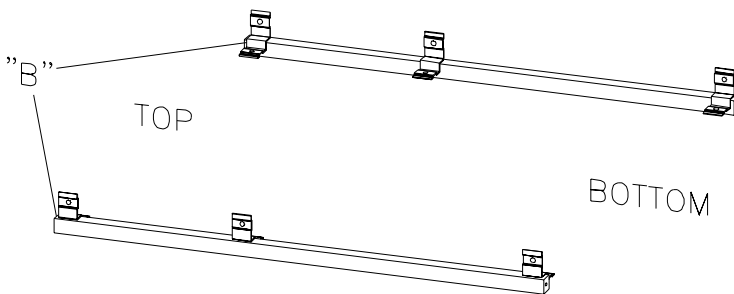


FIGURE 1

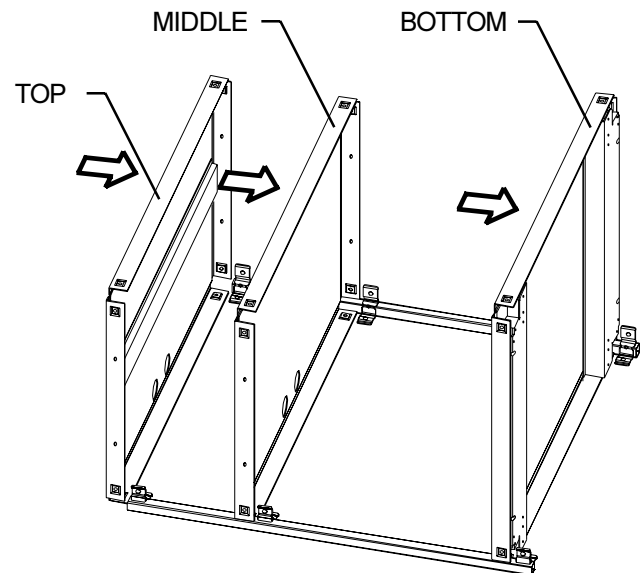


FIGURE 2

STEP 1

Lay the rear legs (the straight ones) on a carpeted surface with brackets facing in and up as shown in **Figure 1**. **NOTE:** Each rear leg has a letter "B" stamped above the bracket to represent the top of the leg. Slide each shelf onto the legs so that the bracket is inside the shelf as shown in **Figure 2**.

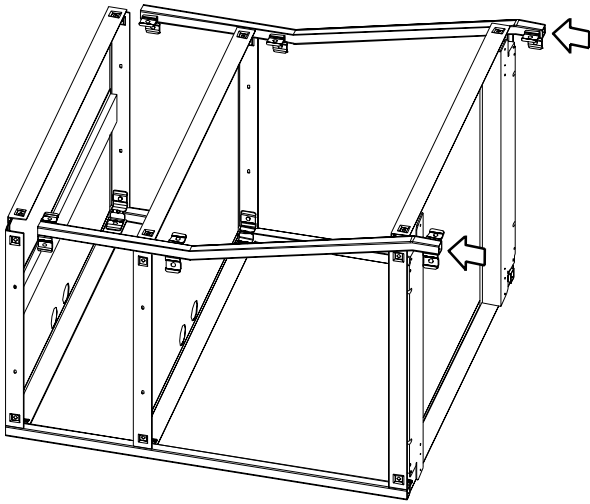


FIGURE 3

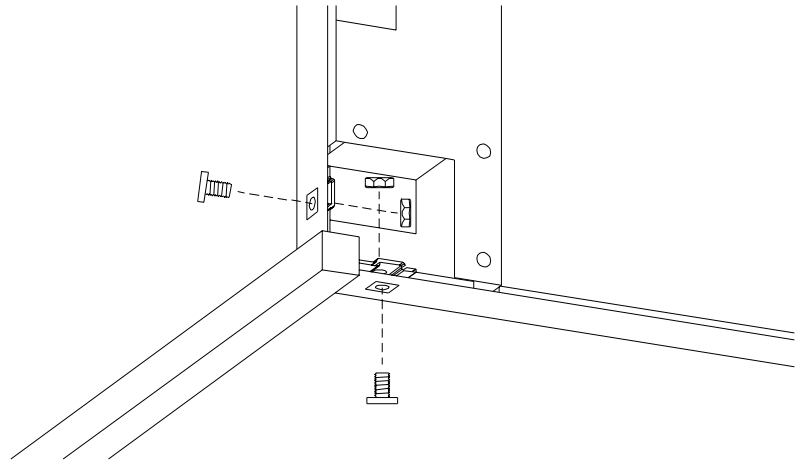
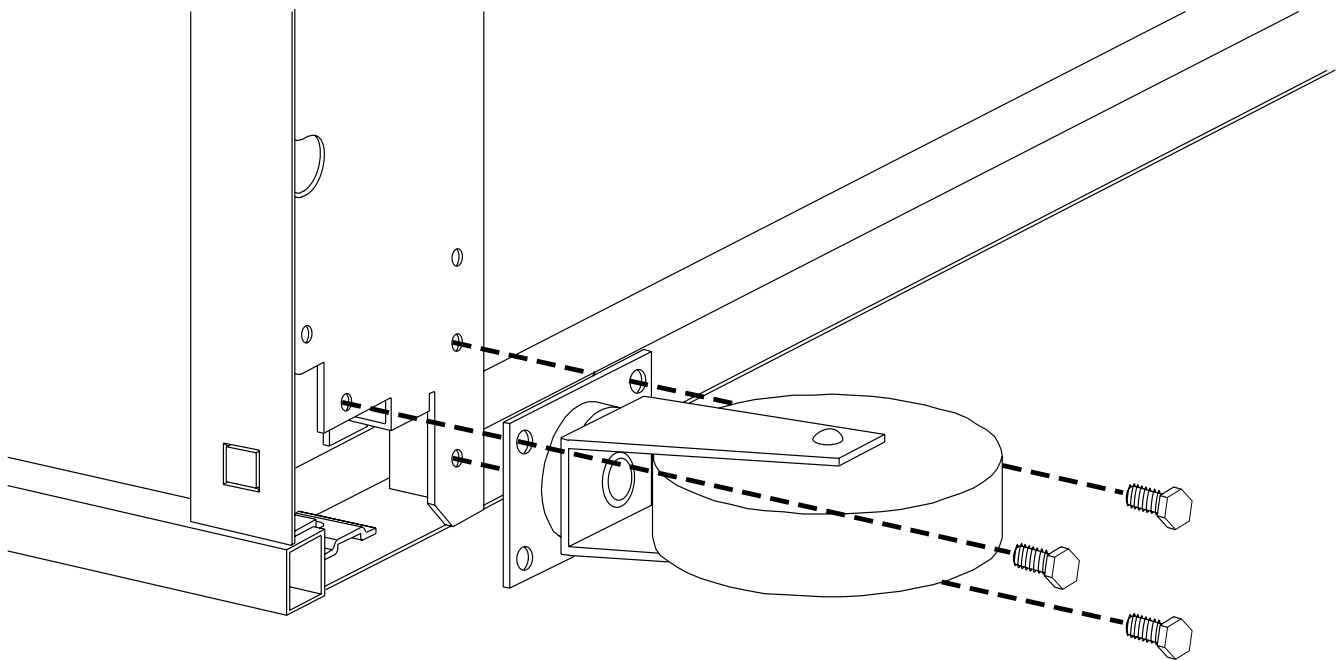
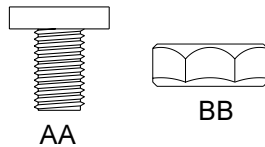


FIGURE 4

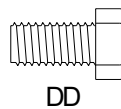
STEP 2

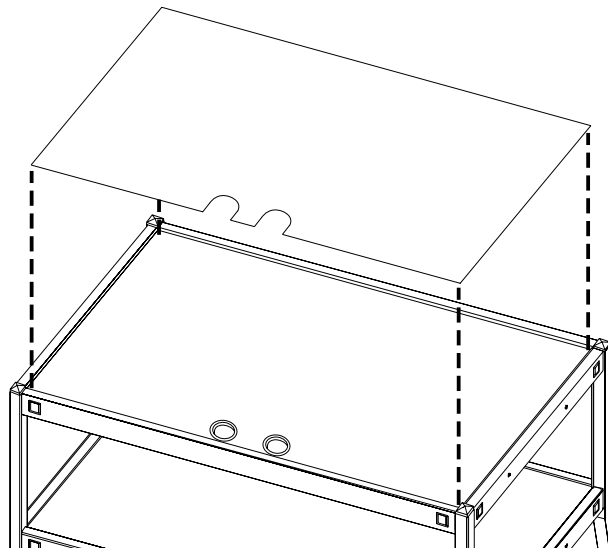
Slide the 2 front legs onto the shelves so that the brackets are inside the shelves as shown in **Figure 3**. Secure each corner of the shelves and legs together with two bolts (AA) and two nuts (BB) using the flat hex wrench as shown in **Figure 4**.



STEP 3

Attach each castor to the bottom shelf stiffener with three bolts (DD) using a 1/2" open end/ box wrench as shown. Make sure the castors with brakes are positioned at one end (side) of the cart and the fixed at the other end (side).



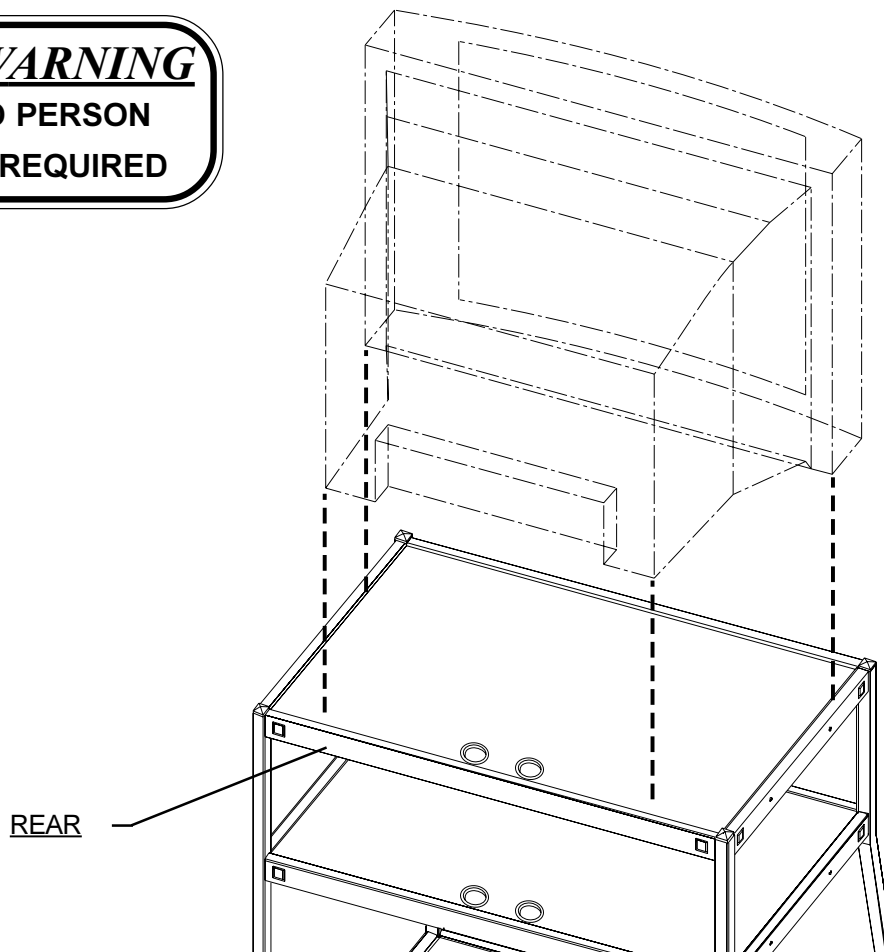


STEP 4

Place the mat onto the top shelf with the two slots in the mat aligned over the two grommet holes in the shelf.

SAFETY WARNING

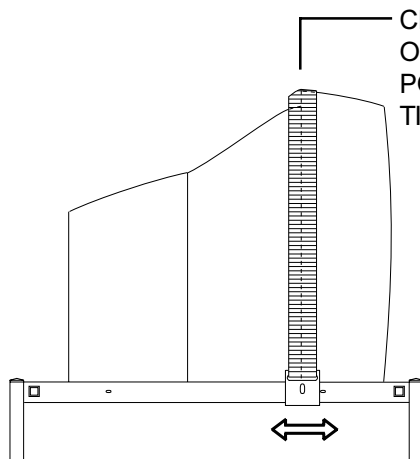
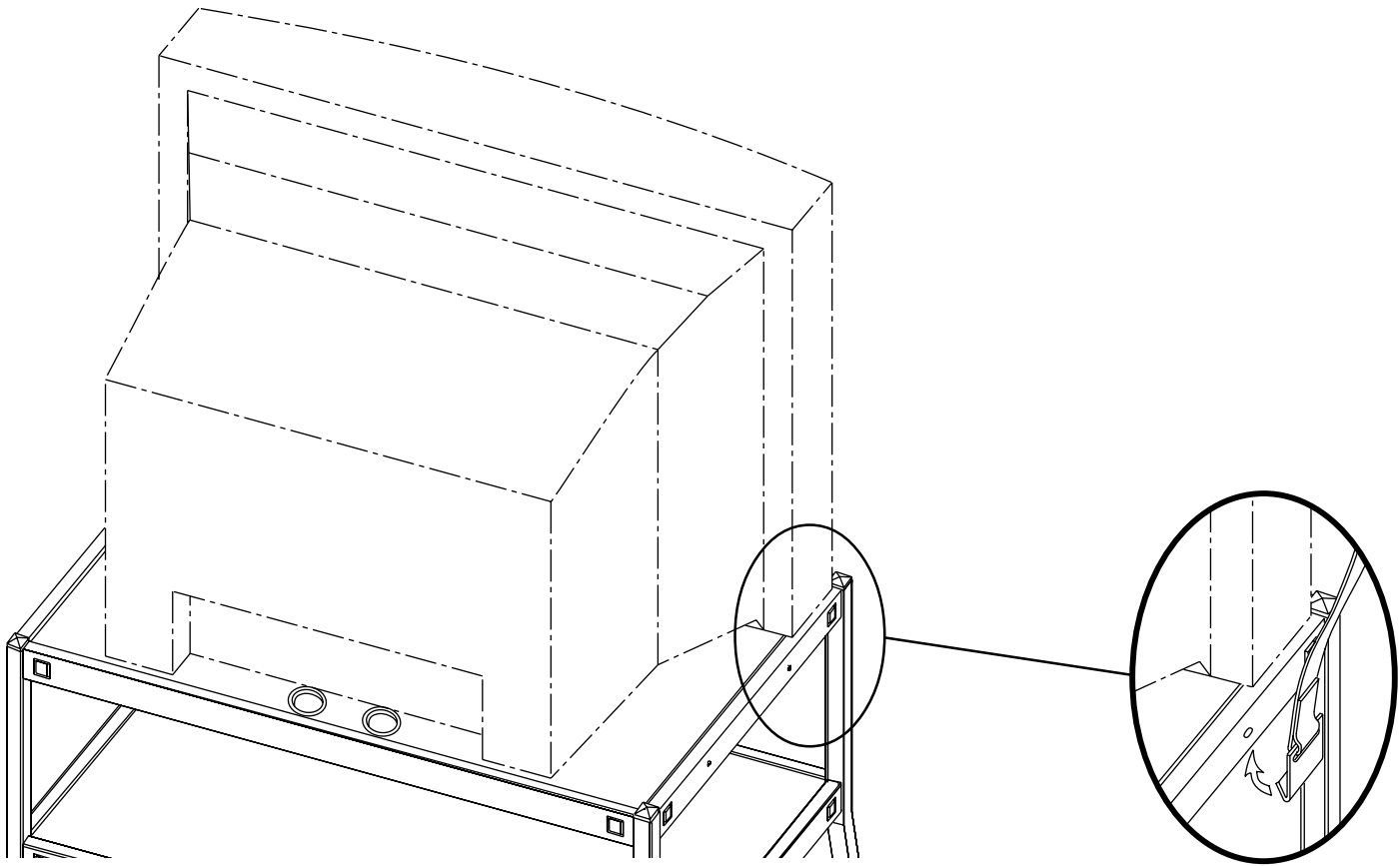
**Note: TWO PERSON
ASSEMBLY REQUIRED**



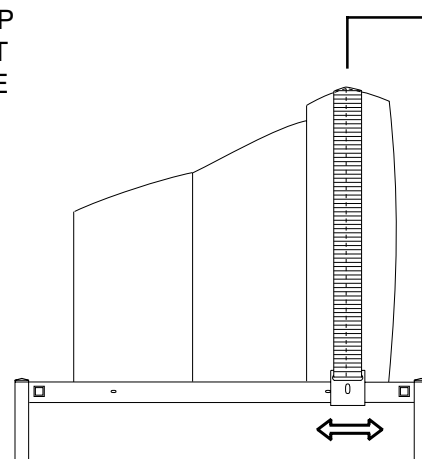
STEP 5

Lock all brakes prior to monitor installation

Carefully raise the monitor and place it onto the cart as shown. Position the monitor at equal distances from side to side and from front to rear.



CENTER STRAP
ONTO HIGHEST
POINT BEFORE
TIGHTENING



CENTER STRAP
ONTO HIGHEST
POINT BEFORE
TIGHTENING

STEP 6

The above pictures are used for safety belt location. To attach safety belt consult the instructions that are provided with the safety belt.

Unlock the brakes to position your cart assembly

Bretford
11000 Seymour Avenue
Franklin Park, IL 60131
TEL: 847.678.2545
800.521.9614
FAX: 847.678.0852
800.343.1779

Bretford Ltd.
Technology House
2 Etongate, 110 Windsor Road
Slough, Berkshire SL1 2JA England
TEL: 01753 53 99 55
FAX: 01753 53 94 78