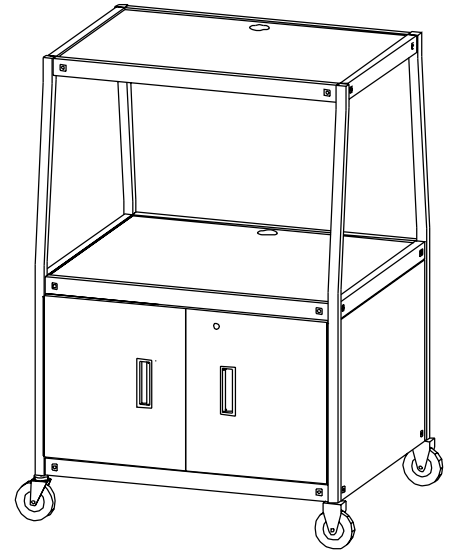


# BBULC48

## UL-listed Wide-Body TV Cabinet Assembly Instructions



### PARTS LIST

Qty	Part#	Description
1	010-1891	Top Shelf
1	022-1414	Middle Shelf w/ Door Stop
1	010-1910	Bottom Shelf
2	010-1908	Side Panel
1	010-1909	Rear Panel
1	022-1415	Right Door Assembly
1	022-1416	Left Door Assembly
1	022-1499	Left Front Leg Assembly
1	022-1501	Left Rear Leg Assembly
1	022-1551	Right Front Leg Assembly
1	022-1552	Right Rear Leg Assembly
2	015-0002	4" Casters w/o Lock
2	015-0079	Caster Wheel
1	SB	Safety Belt

### HARDWARE LIST

Ref	Qty	Part#	Description
AA	24	030-0300	5/8" Square Head Bolts
BB	24	030-0002	5/16"-18 Serrated Nuts
CC	2	030-0388	5/16-24 x 1.732" Lg. Bolts
DD	2	030-0389	5/16-24 Lock Nuts
EE	1	010-1188	Bottom Door Stop
FF	2	030-0023	#6-32 x 3/8" Machine Screws
GG	2	030-0024	#6-32 Hex Nuts
HH	2	012-0286	Plastic Handles
II	4	030-0259	#10 x 1/2" Phillips Screws
JJ	4	030-0325	1/4-20 x 1/2" Combo Screws
KK	1	010-1106	Hex Wrench

### TOOLS REQUIRED

Hex Wrench (Provided)  
Phillips Screwdriver  
Rubber Mallet (Optional)

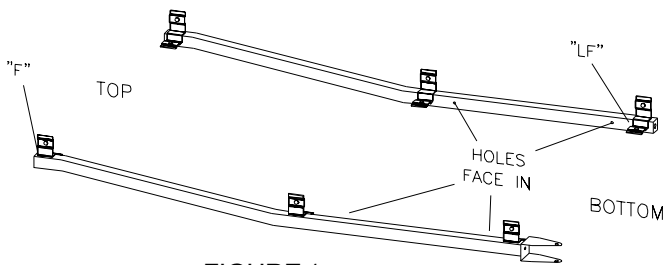


FIGURE 1

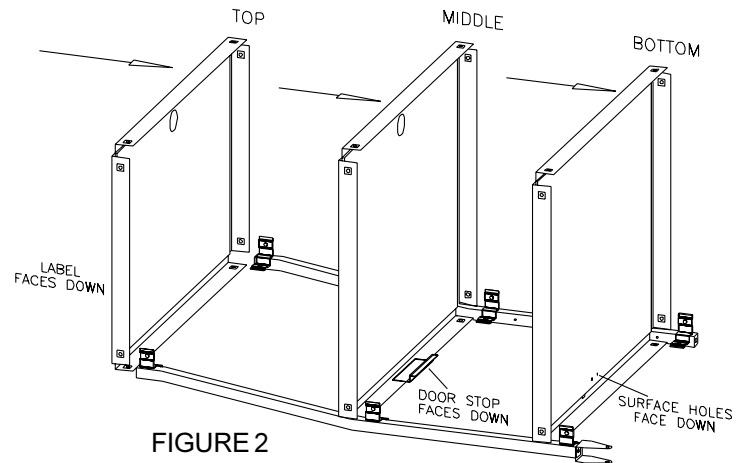
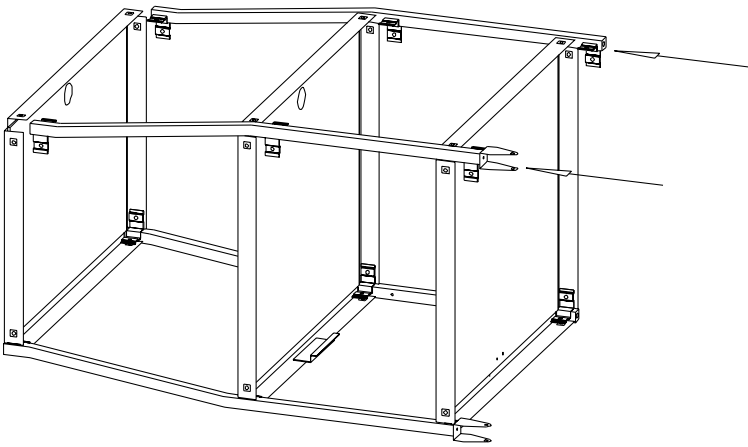


FIGURE 2

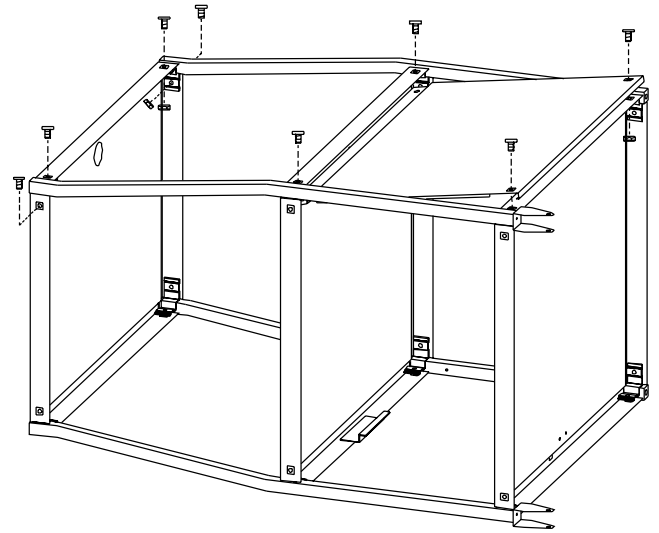
### STEP 1

Position the front legs (stamped "LF" and "F") with the brackets facing up and in as shown in **FIGURE 1**. Slide each shelf onto the legs making sure the brackets are inside of the shelves as shown in **FIGURE 2**.



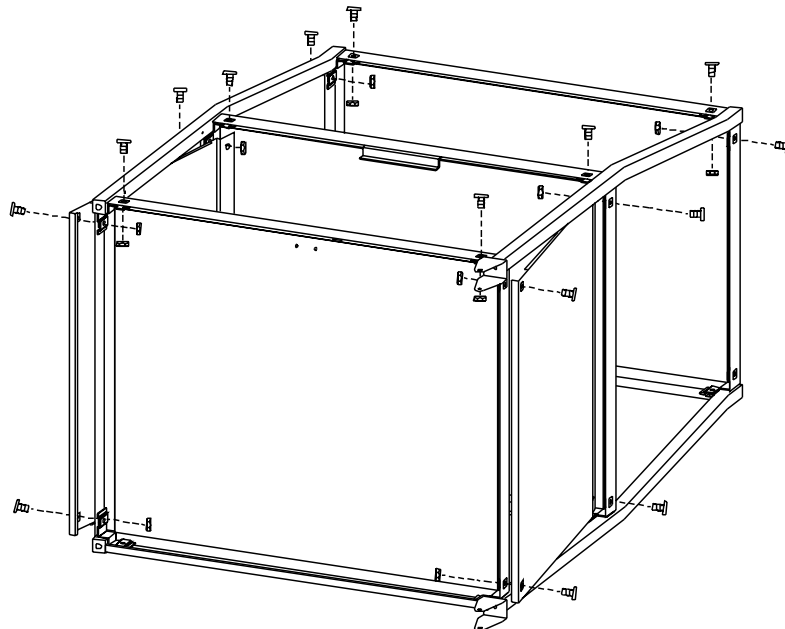
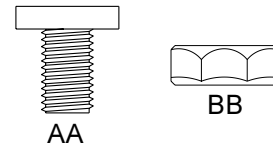
## STEP 2

Slide the 2 remaining legs onto the shelves as shown. Make sure the brackets are inside the shelves.



## STEP 3

**LOOSELY** attach the top shelf at each accessible corner with bolts (AA) and nuts (BB). Then slide the back panel between the middle and bottom shelf so that the top flange is behind the leg brackets and the bottom hooks onto the bottom shelf. **LOOSELY** attach in the 4 corners as shown.



## STEP 4

**CAREFULLY** turn the unit on its back. Finish fastening the top shelf to legs. Then attach each side panel in the same manner as described in STEP 3 using bolts (AA) and nuts (BB) as shown.

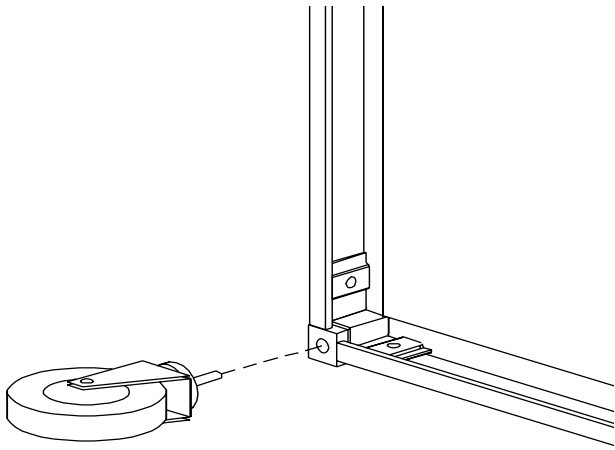


FIGURE 3

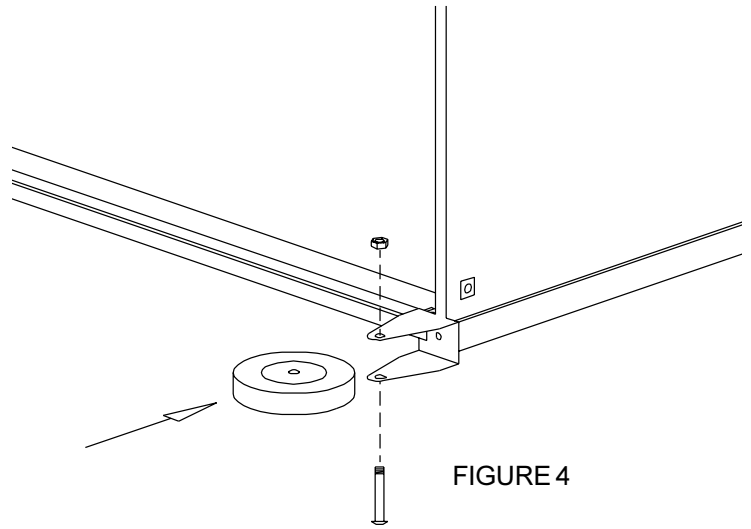
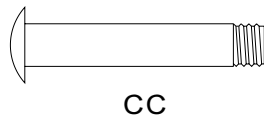


FIGURE 4

### STEP 5

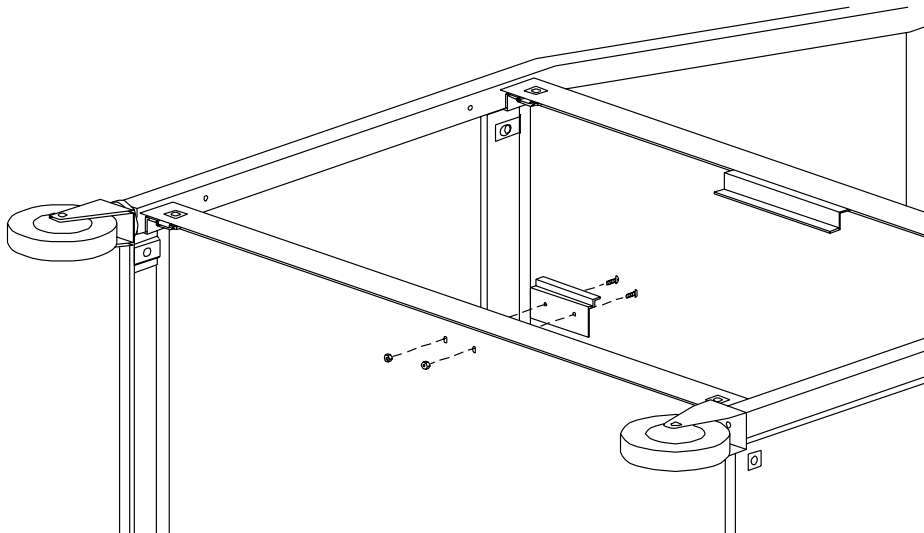
Push casters into each socket in the left front and rear legs as shown in **FIGURE 3**. To ensure casters are secure in sockets, a rubber mallet may be used to tap casters in place. Attach the caster wheels to the right front and rear legs using bolts (CC) and nuts (DD) as shown in **FIGURE 4**.



CC

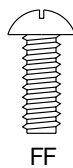


DD



### STEP 6

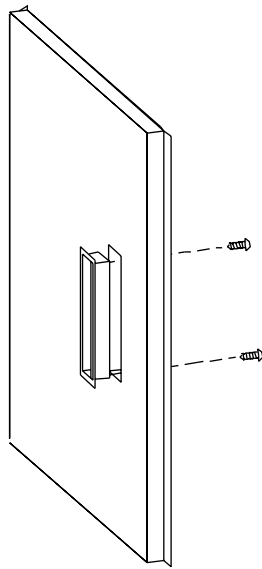
Attach door stop to bottom shelf using screws (FF) and nuts (GG). Stand unit upright and **TIGHTEN ALL SHELF HARDWARE**.



FF

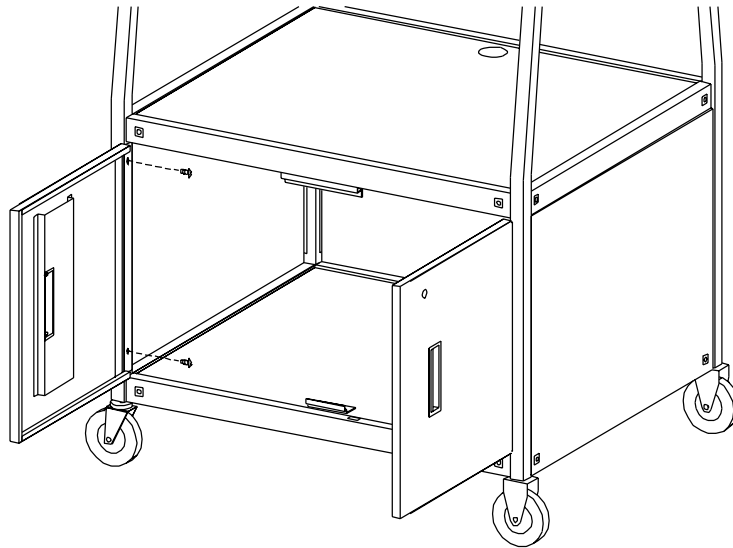
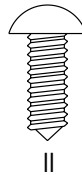


GG



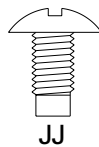
### STEP 7

Attach the door handles using screws (II).



### STEP 8

Attach the doors (right one has lock) between the middle and bottom shelves with screws (JJ) as shown. **NOTE:** Adjustments to the door stop may need to be done.



**Bretford**  
11000 Seymour Avenue  
Franklin Park, IL 60131  
TEL: 847.678.2545  
800.521.9614  
FAX: 847.678.0852  
800.343.1779

**Bretford Ltd.**  
Technology House  
7 Lake End Court, Taplow  
Bucks SL6 0JQ England  
TEL: 01628 603558  
FAX: 01628 604923

[www.bretford.com](http://www.bretford.com)

Part #031-1367  
Rev. 10.23.96 CH