



# Adult Height Adjustable Work Centers w/Casters

## Assembly Instructions

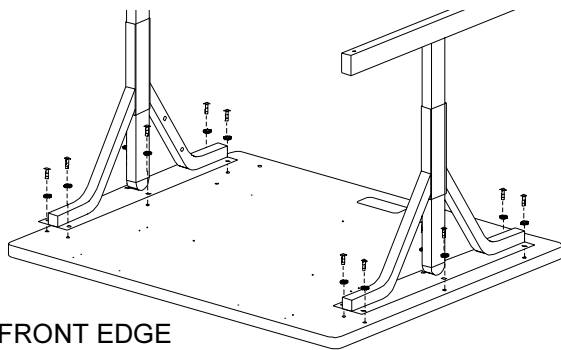


### PARTS LIST

Part #	Size	Top	Modesty Panels	Cord Bins	Lower Leg (2)	RIGHT	LEFT	Ref	Part #	Qty	Description
						Upper Leg Assembly					
3577	30 x 30	SA2346	010-3471	010-3472	022-1713	022-1589	022-1590	AA	030-0402	12	10-32 x 5/8" Combo Screw
3520	36 x 24	SA1644	010-2321	010-2322	022-1591	022-1589	022-1590	BB	030-0396	4	3/8-16 x 1/2" Set Screw
3517	36 x 30	SA1646	010-2321	010-2323	022-1713	022-1589	022-1590	CC	030-0397	1	Allen Wrench
3503	42 x 24	SA2090	010-3080	010-3081	022-1591	022-1589	022-1590	DD	030-0325	4	1/4-20 1/2" Combo Truss
3514	42 x 30	SA2091	010-3080	010-3082	022-1713	022-1589	022-1590	EE	030-0168	6	#8 x 1/2" Wood Screw
3522	48 x 24	SA1645	010-2324	010-2325	022-1591	022-1589	022-1590	FF	030-0433	2	10-32 x 1/2" Knurled Screw
3518	48 x 30	SA1647	010-2324	010-2326	022-1713	022-1589	022-1590	HH	030-0465	2	Retaining Washer
3560	60 x 24	SA2086	010-2327	010-3076	022-1591	022-1589	022-1590	JJ	030-0240	12	4" Casters w/o Lock
3519	60 x 30	SA1648	010-2327	010-2328	022-1713	022-1589	022-1590	KK	015-0002	2	4" Casters w/ Lock
3564	72 x 24	SA2085	010-2706	010-3075	022-1591	022-1589	022-1590	LL	015-0003	2	1/4" External Lockwasher
3526	72 x 30	SA1715	010-2706	010-2707	022-1713	022-1589	022-1590				

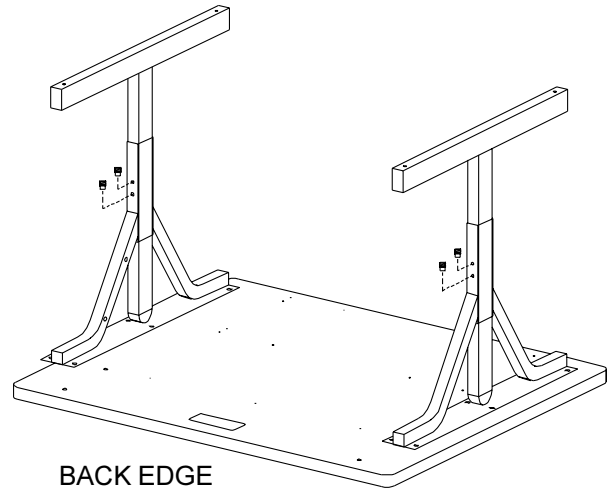
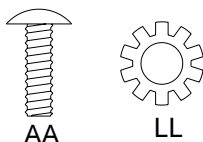
### TOOLS REQUIRED

- Phillips Screwdriver
- Rubber Mallet
- Allen Wrench (provided)



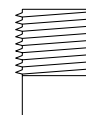
#### STEP 1

Lay wood top on a carpeted surface with holes facing upward. Position the legs onto wood top with holes facing in and toward back as shown. **LOOSELY** attach with screws (AA) and washers (LL).

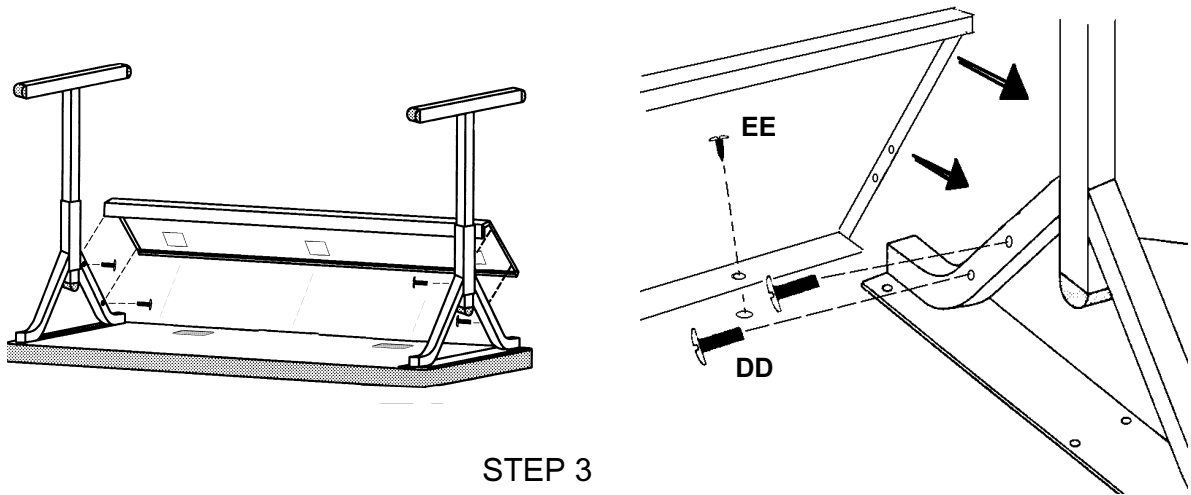


#### STEP 2

Set desired height and insert screws (BB) into legs and tighten with Allen wrench (provided).



BB



### STEP 3

Slide in modesty panel. Tightly secure modesty panel to legs with screws (DD). Attach to wood top using screws (EE). **TIGHTEN ALL HARDWARE AT THIS TIME. NOTE:** Any "C" frames for shelves must be assembled prior to attaching the modesty panel.

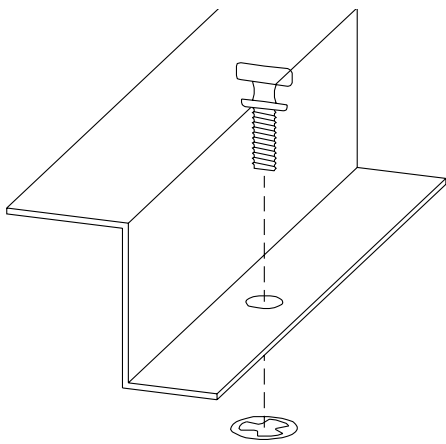
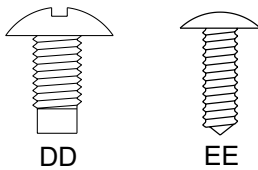


FIG. 1

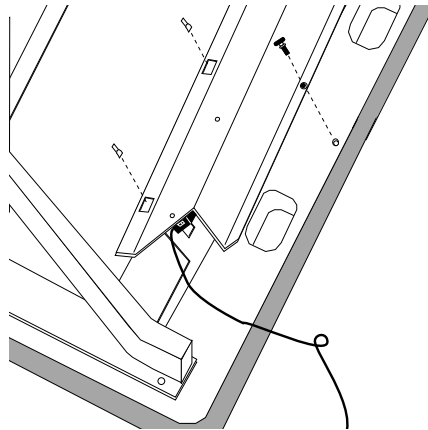
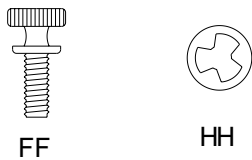


FIG. 2

### STEP 4

Insert screws (FF) into the holes in cord bin. Then slide on washer (HH) as shown in **Fig 1**. Attach cord bin to hooks on the back of the modesty panel. Secure to bottom of wood top as shown in **Fig. 2**.



### STEP 5

Push or tap (with a rubber mallet) casters (JJ/KK) into bottom of legs. Stand unit upright.

**NOTE:** Casters should be fully installed into leg so that the entire stem is inside leg.

**Bretford**  
 11000 Seymour Avenue  
 Franklin Park, IL 60131  
 TEL: 847.678.2545  
 800.521.9614  
 FAX: 847.678.0852  
 800.343.1779

**Bretford Ltd.**  
 Technology House  
 7 Lake End Court, Taplow  
 Bucks SL6 0JQ England  
 TEL: 01628 603558  
 FAX: 01628 604923