



BRETFORD

ECILS2 / ECILS2M

NOTEBOOK-DATA PROJECTION CART

Assembly Instructions

PARTS LIST

Qty	Part#	Description	Ref
2	010-1863	Top & Bottom Shelves	AA
1	010-4514	Slide Out Shelf	BB
2	010-4507	Shelf Support Brackets	CC
1	022-2311	Right Front Leg	DD
1	022-2310	Left Front Leg	EE
1	022-2313	Right Rear Leg	FF
1	022-2312	Left Rear Leg	
2	015-0002	4" Casters w/o Lock	
2	015-0003	4" Casters w/ Lock	
1	030-1191	14" Full Extension Slide	
1	ES	Electrical Unit - ECILS2M ONLY	

HARDWARE LIST

Qty	Part#	Description
16	030-0300-21T	5/8" Square Head Bolts
16	030-0002	5/16-18 Hex Serrated Nuts
8	030-0304	1/4-20 x 5/8" Combo Screws
8	030-1228	8-32 x 1/4" Truss Screws
4	030-1203	#8-32 Acorn Nuts
4	02236	8-32 Flange Whis Lock Nuts
1	010-1106	Hex Wrench

TOOLS REQUIRED

- Hex Wrench (Provided)
- Phillips Screwdriver
- Rubber Mallet

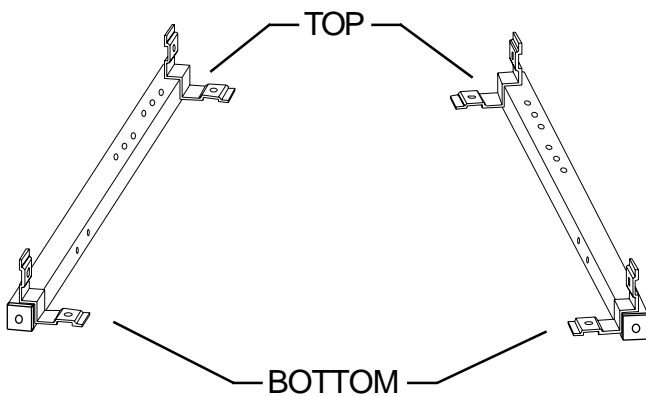
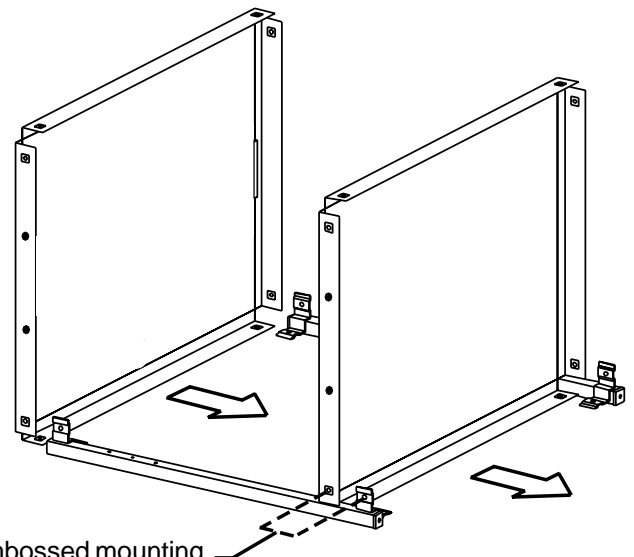


FIGURE 1



Align shelf embossed mounting hole with leg mounting bracket.
2 corners each shelf.

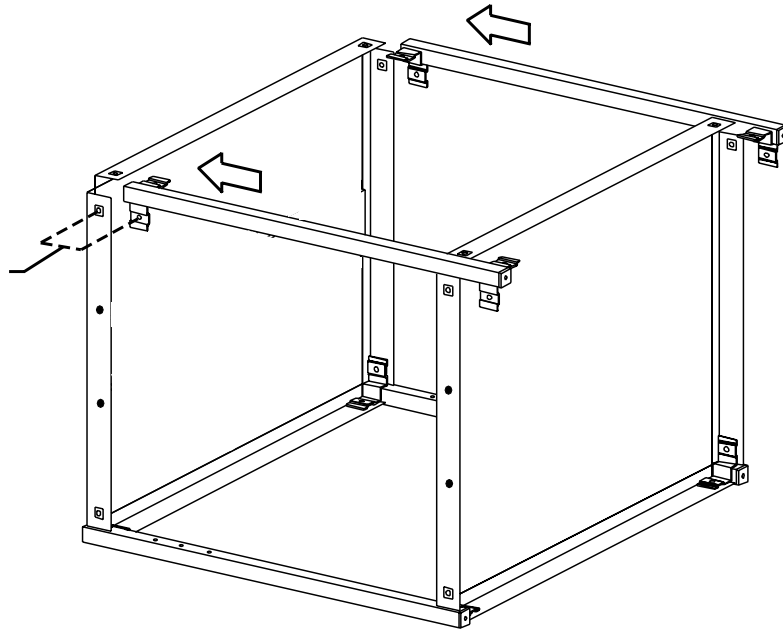
FIGURE 2

STEP 1

Lay two legs on a carpeted surface with the six top holes facing up and the brackets facing up and in as shown in **Figure 1**. Slide the top and bottom shelves (with 4 square holes toward front) onto the legs so that the brackets are inside the shelves as shown in **Figure 2**.

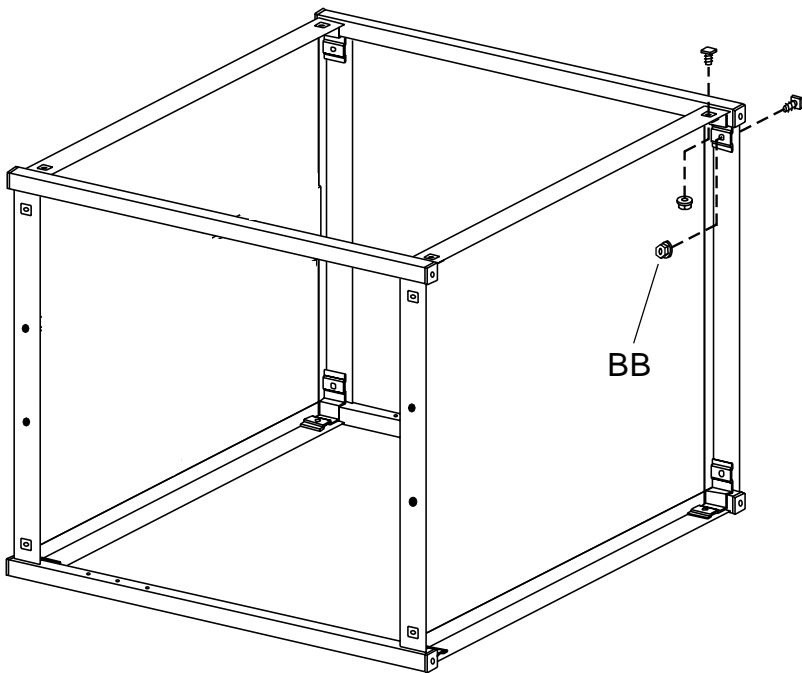
NOTE: The letters stamped on the top of the legs does not matter for this cart assembly.
DO NOT POSITION THE LEGS ACCORDING TO THE STAMPED LETTERS.

Align shelf embossed mounting hole with leg mounting bracket. 2 corners each shelf.



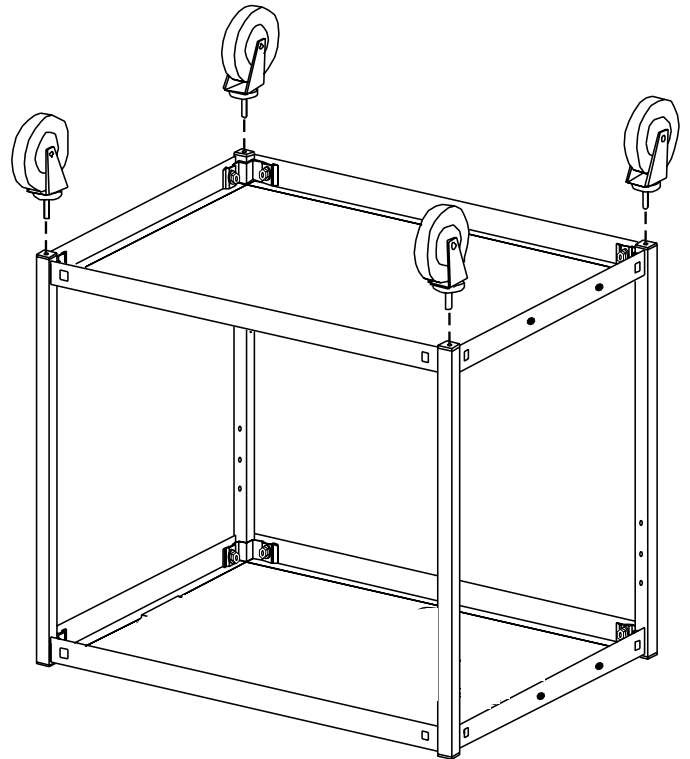
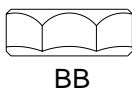
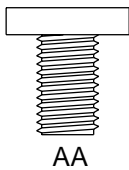
STEP 2

Slide the remaining two legs onto the shelves so that the brackets are inside the shelves.



STEP 3

Secure shelves and legs together with bolts (AA) and nuts (BB) in each corner as shown.



STEP 4

Insert each caster into the bottom of each leg. If caster does not insert easily, use a rubber mallet to tap caster in place. Once casters are **SECURELY** in place, stand unit upright.

SHELF SUPPORT BRACKET

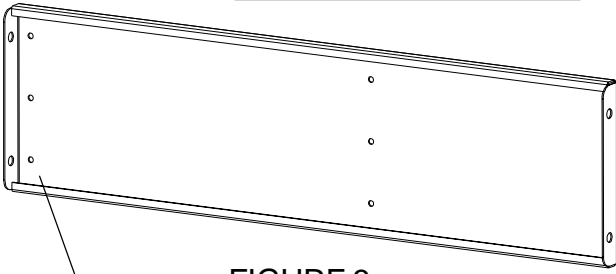


FIGURE 3

These holes need to face the edge you want the shelf to slide out on.

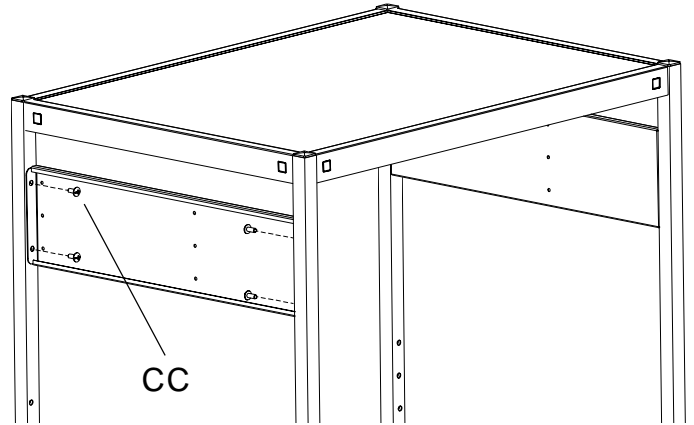
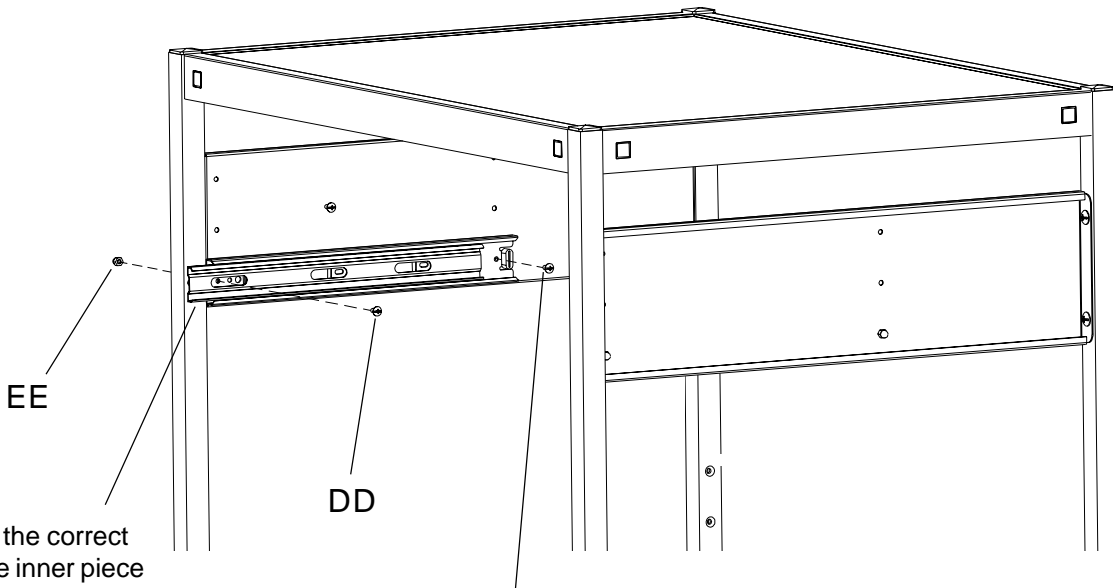


FIGURE 4



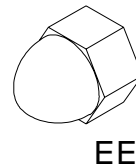
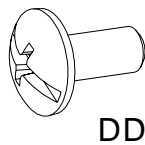
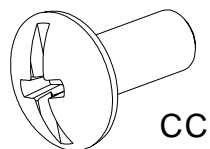
To access the correct holes, slide inner piece out slightly.

Attach rear screw & nut FIRST.

FIGURE 5

STEP 5

Determine which side you want your shelf to pull out from. Use **FIGURE 3** as reference. Attach the shelf support brackets to either set of holes (depending on your desired height) between the legs with screws (CC) as shown in **FIGURE 4**. Then separate each slide and attach the outer section to the inside of each shelf support bracket with screws (DD) and nuts (EE) as shown in **FIGURE 5**. **NOTE: Attach rear screw and nut first.**



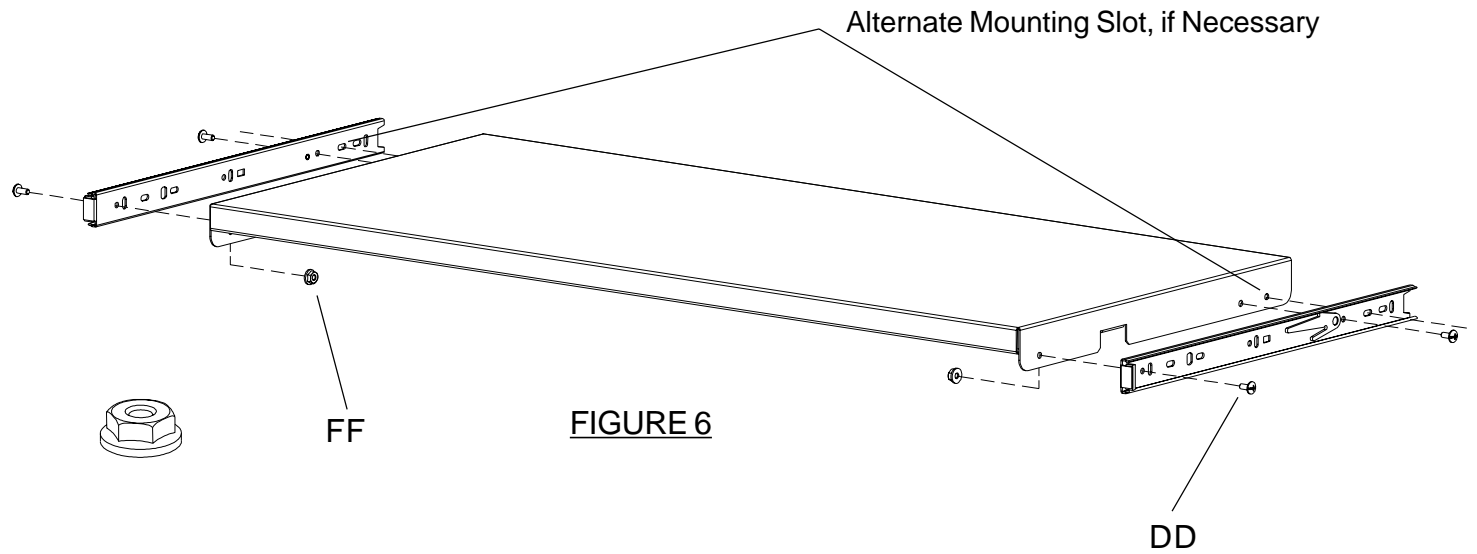


FIGURE 6

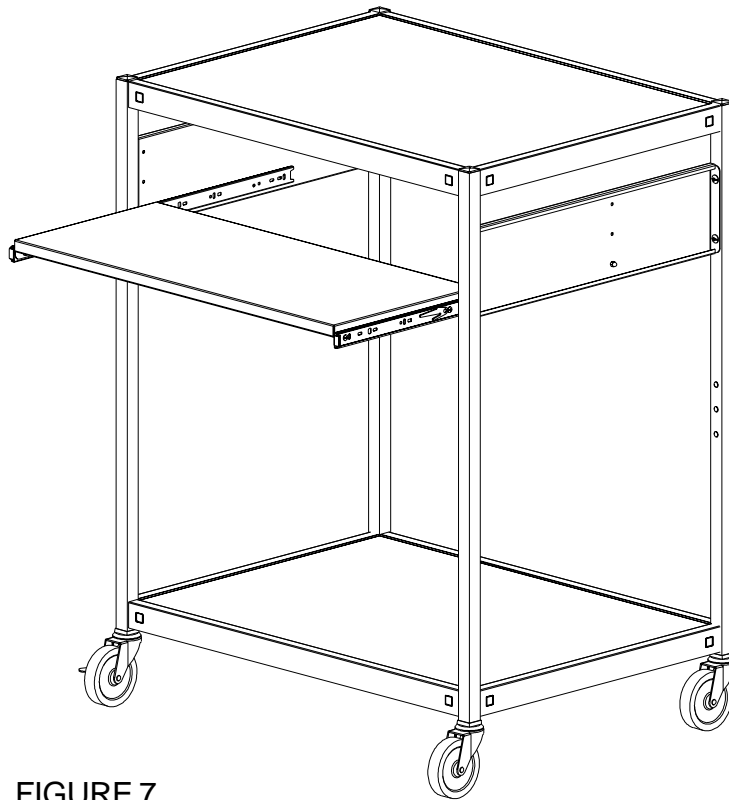


FIGURE 7

STEP 6

Attach the remaining slide pieces to the pull out shelf with screws (DD) and nuts (FF) as shown in **FIGURE 6**. Then slide shelf into cart as shown in **FIGURE 7**.

E-UNIT ASSEMBLY FOR MODEL ECILS2M

Remove wing nuts from the back of the electrical unit.
Position E-uni on shelf side and secure with wing nuts.

Bretford
11000 Seymour Avenue
Franklin Park, IL 60131
TEL: 847.678.2545
800.521.9614
FAX: 847.678.0852
800.343.1779

Bretford Ltd.
Technology House
7 Lake End Court, Taplow
Bucks SL6 0JQ England
TEL: 01628 603558
FAX: 01628 604923