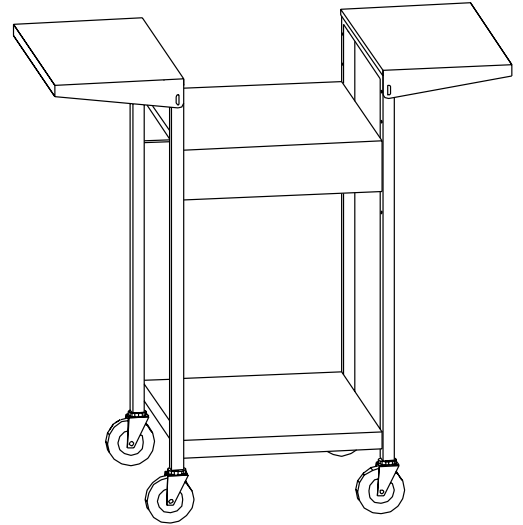




BRETFORD

OH29 Overhead Projector Cart Assembly Instructions



PARTS LIST

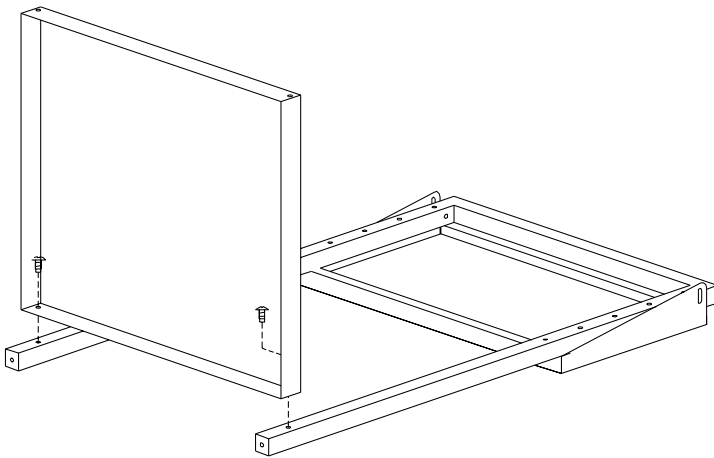
Qty	Part#	Description
1	010-2010	Projector Shelf
1	010-2080	Bottom Shelf
2	017-0457	Leg Assemblies w/ Drop Leaf Shelf
2	015-0002	4" Casters w/o Lock
2	015-0003	4" Casters w/ Lock
OR		
2	015-0017	5" Casters w/o Lock
2	015-0018	5" Casters w/ Lock

HARDWARE LIST

Qty	Part#	Description
12	030-0325	1/4-20 x 1/2" Combo Truss Screws

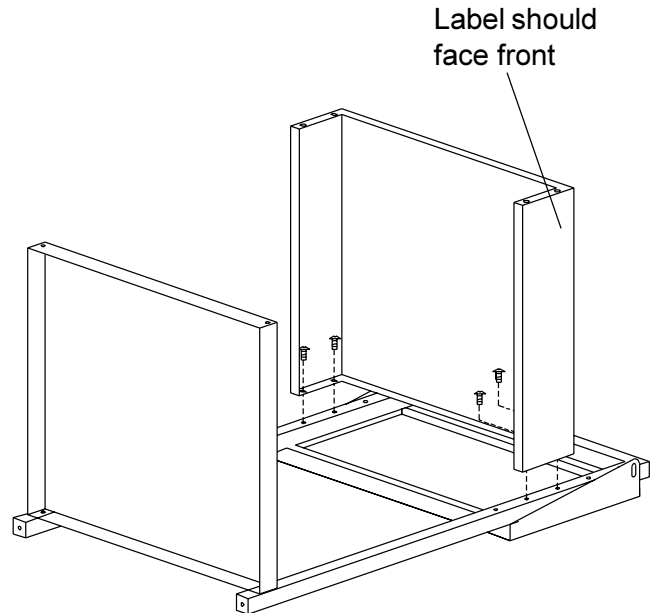
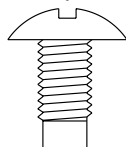
TOOLS REQUIRED

Phillips Screwdriver



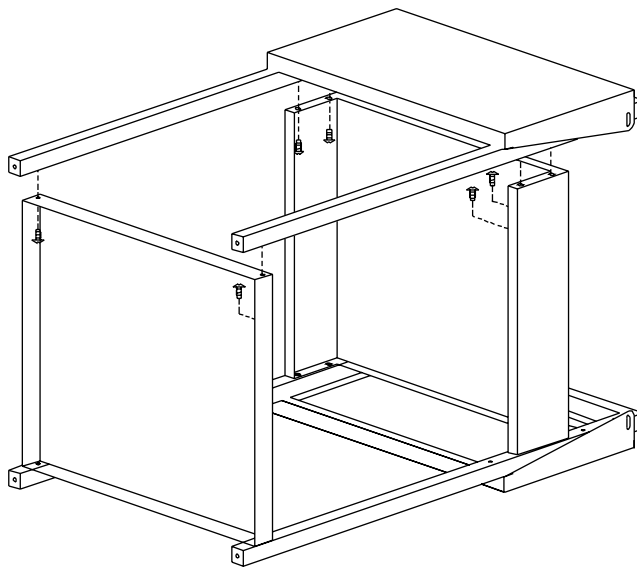
STEP 1

Lay one leg assembly on a carpeted surface with holes facing up. Attach the bottom shelf to the leg assembly with screws provided as shown.



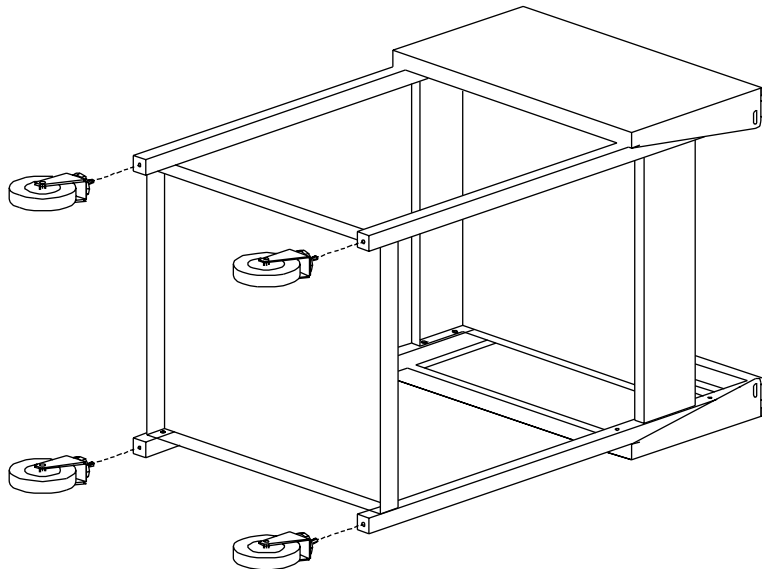
STEP 2

Attach the projector shelf (label facing front) to the leg assembly with screws provided as shown. **NOTE:** The projector shelf has adjustable heights of 19-27 3/4" in 4 increments.



STEP 3

Position the other leg assembly onto the shelves and secure together with screws provided.



STEP 4

Push each caster (locking casters go in front) into the bottom of each leg assembly. If casters do not insert easily, use a rubber mallet to tap each caster in place. Once casters are **SECURELY** seated in each leg, stand unit upright.

NOTE: To open the drop leaf panels on the leg assemblies, simply swing it out from the bottom until the slot "locks" over the rivet. To lower, lift up on the panel until it releases and then fold it down against the leg assembly. If optional E Unit is purchased, attach it to the rear of the projector shelf with hardware enclosed.

Bretford
11000 Seymour Avenue
Franklin Park, IL 60131
TEL: 847.678.2545
800.521.9614
FAX: 847.678.0852
800.343.1779

Bretford Ltd.
Technology House
7 Lake End Court, Taplow
Bucks SL6 0JQ England
TEL: 01628 603558
FAX: 01628 604923

www.bretford.com

Part #031-1241
Rev. 02.19.97 CH