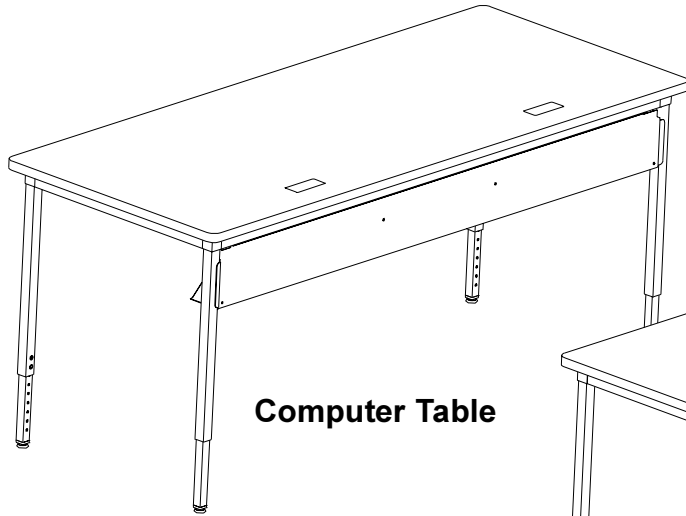
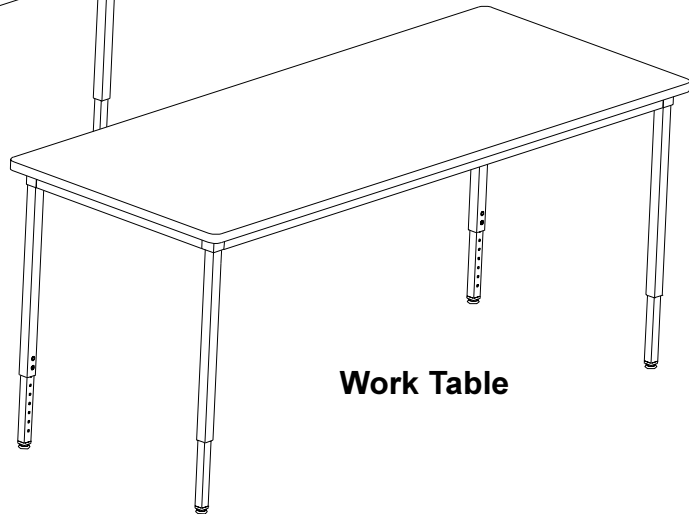


QUATTRO TABLES

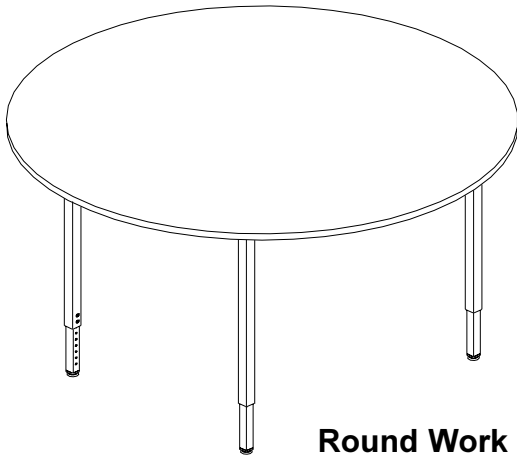
Assembly Instructions



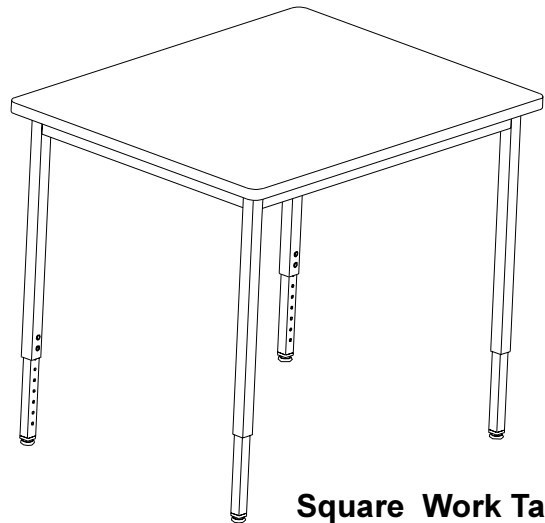
Computer Table



Work Table



Round Work Table



Square Work Table

Parts List

Qty.	Part No.	Description
4	010-3511	Corner Tie
4	017-0686	Bottom Leg
2	017-0687	Right Top Leg
2	017-0688	Left Top Leg
4	015-0084	3/8-16 Glides
2	010-3520	Bin Mounting Bracket (For Computer Tables Only)

Tools Required

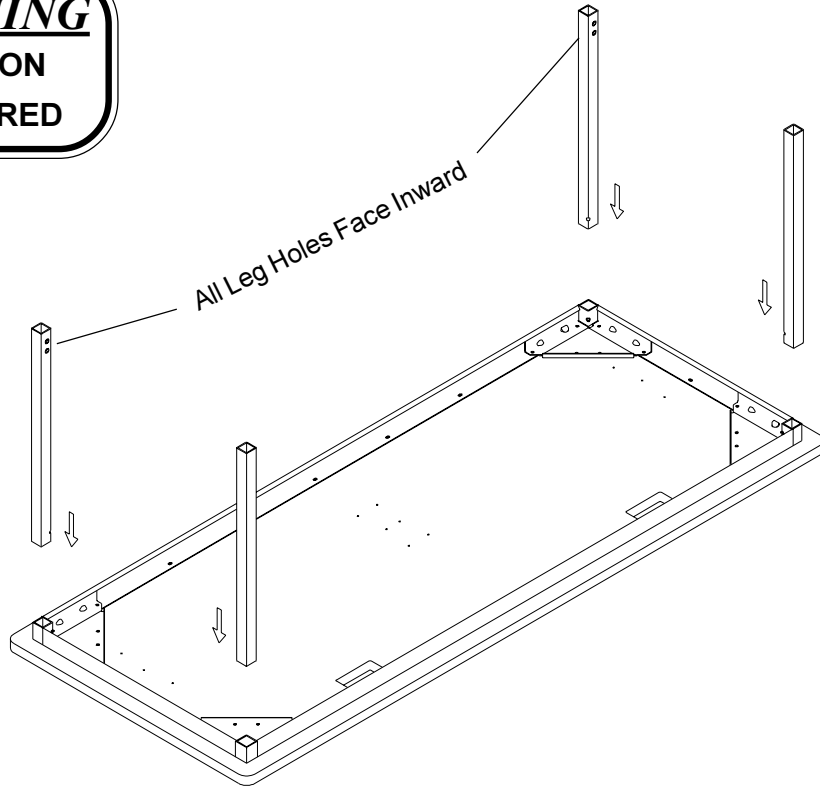
Philips Screwdriver
Allen Wrench
Adjustable Wrench

Hardware List

Qty.	Part No.	Description
8	030-0396	3/8-16 x 1/2" Set screw
2	030-0357	#10-32 Flanged Hex Serrated Nut (For Computer Tables Only)
2	030-0402	#10-32 x 5/8" Black Combo Head Screw (For Computers Tables Only)
4	030-0852	5/16-18 x 1-1/4" Hex Flange Cap Screw

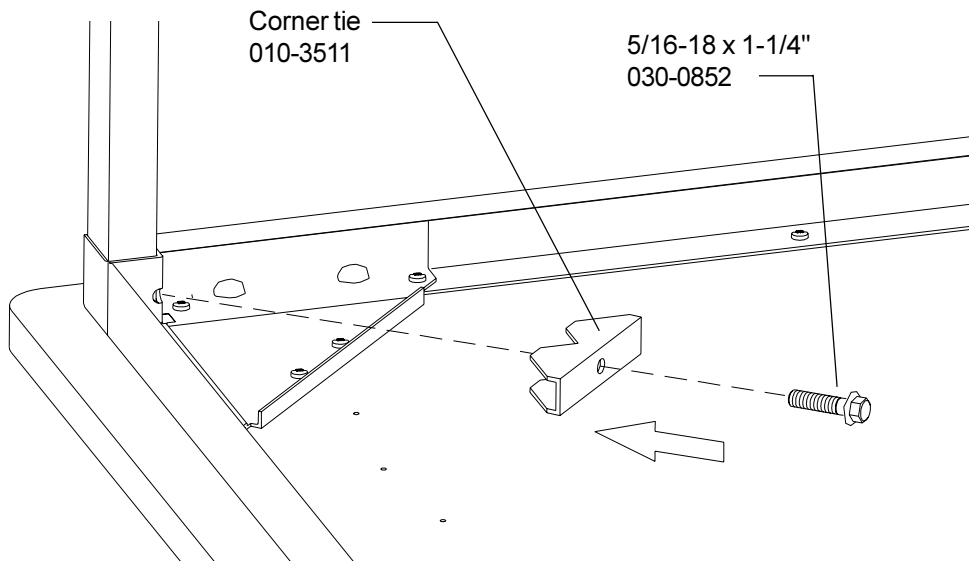
SAFETY WARNING

**Note: TWO PERSON
ASSEMBLY REQUIRED**



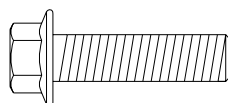
Step 1

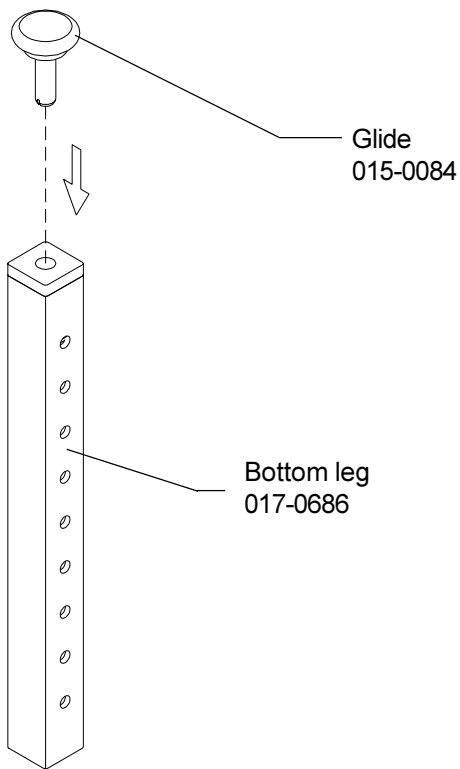
Lay wood top on a carpeted surface with holes facing upward. Insert the legs into each corner with holes facing in as shown.



Step 2

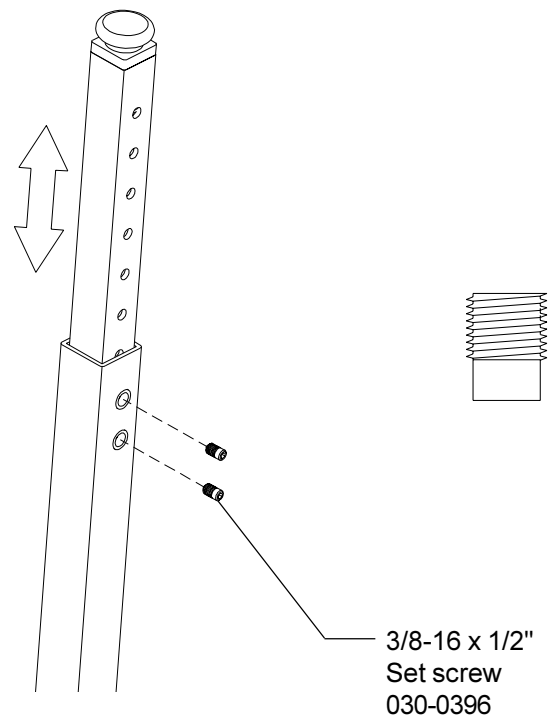
Attach legs with 5/16-18 x 1-1/4" Hex Flange Cap screws (030-0852) and corner ties (010-3511). Tighten all screws.





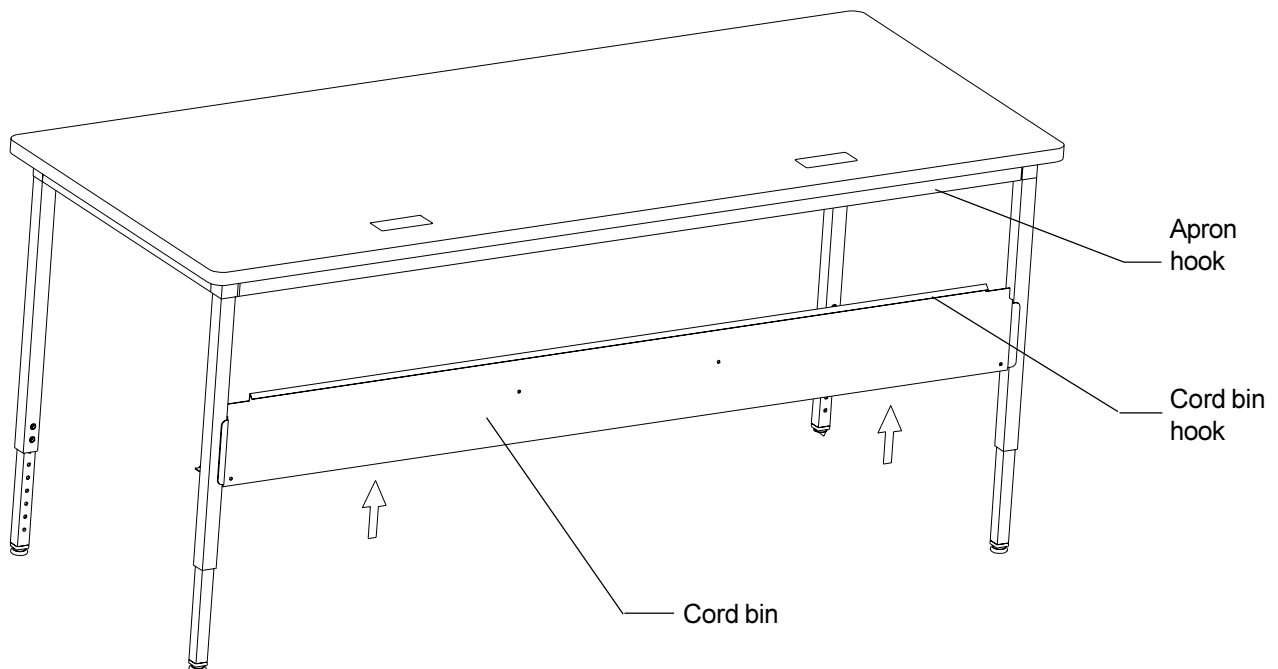
Step 3

Screw glides (015-0084) into bottom legs (017-0686). Glides should be fully installed into legs so that the entire stem is inside of leg.



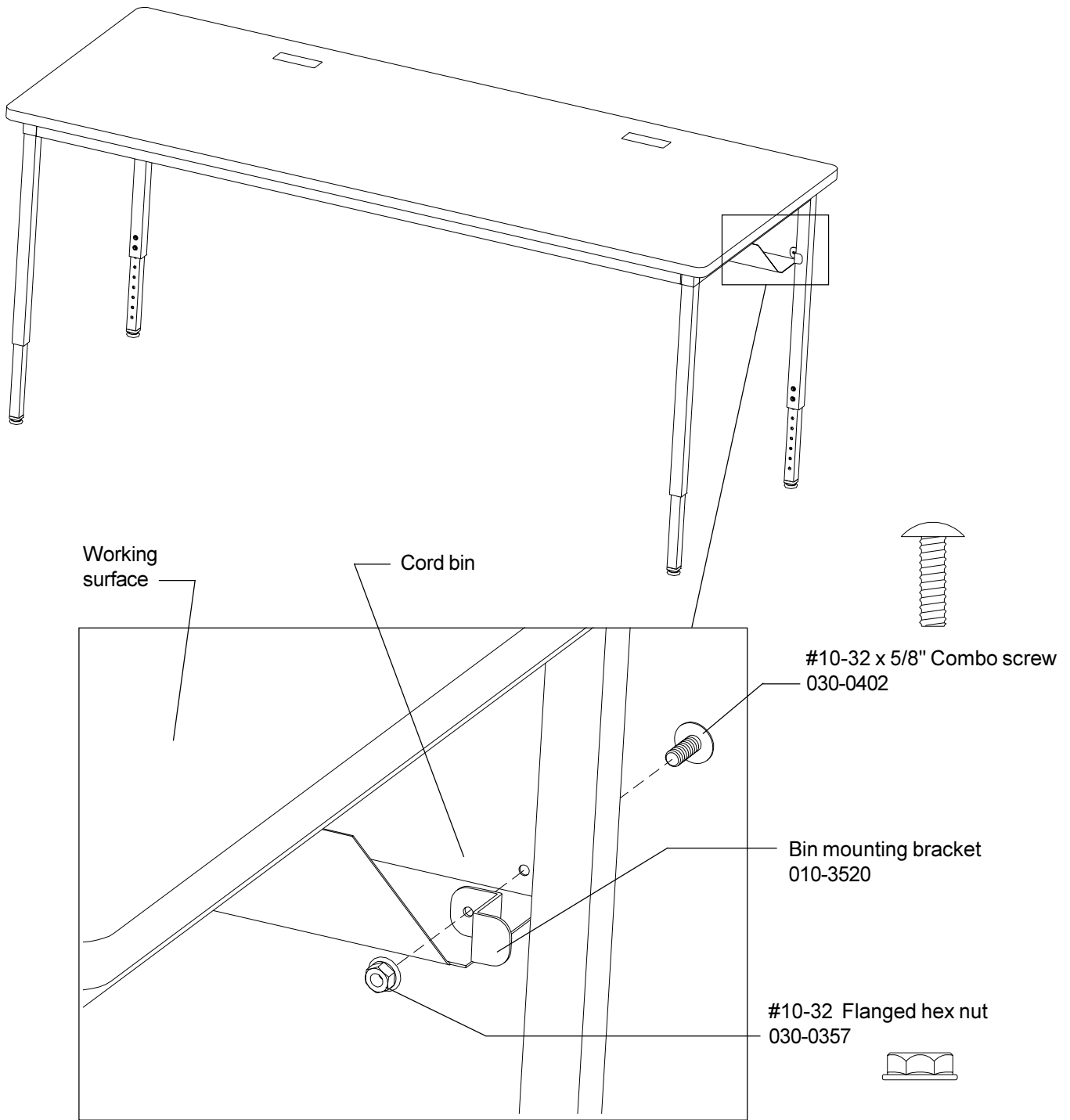
Step 4

Position holes in legs so that they face each other. Insert bottom legs into top legs. Set desired height and insert 3/8-16 x 1/2" (030-0396) Set screws into legs and tighten with Allen wrench. Stand the unit upright.



Step 5 (For tables with cord bin only)

Slide cord bin in between table legs. Slide the cord bin up on the legs until it hooks onto apron's lip underneath working surface.



Step 6 (For tables with cord bin only)

Attach brackets to the cord bin as shown using #10-32 x 5/8" Combo screw (030-0402) and #10-32 Flanged hex nut (030-0357). Tighten all screws

Bretford
11000 Seymour Avenue
Franklin Park, IL 60131
TEL: 847.678.2545
800.521.9614
FAX: 847.678.0852
800.343.1779

Bretford Ltd.
2 Etongate
110 Windsor Road
Slough, Berkshire SL1 2JA England
TEL: 01753 216531
FAX: 01753 539478

www.bretford.com

Part#031-4207
Rev. 05.18.05 CH