



Model Numbers for Tables

35TG17-GMQ, 35TG21-GMQ, 35TG26-GMQ, 35TG25-GMQ, 35TG17NB-GMQ, 35TG21NB-GMQ, 35TG26NB-GMQ, 35TG25NB-GMQ, 35XTCTG17-GMQ, 35XTCTG21-GMQ, 35XTCTG26-GMQ and 35XTCTG25-GMQ.

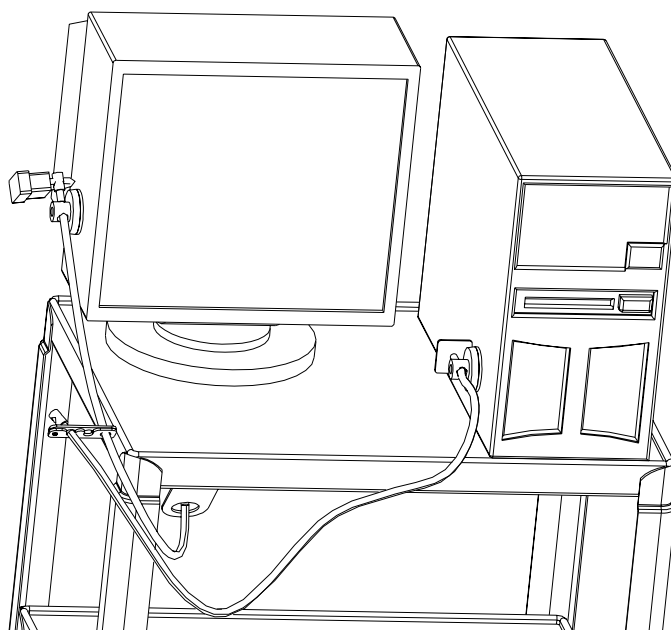
Model Numbers for Carts

LAP18E, LAP24E, LAP30E, A26TG42E-GM and EC27TG41FF-GM

Security Cables and Accessories



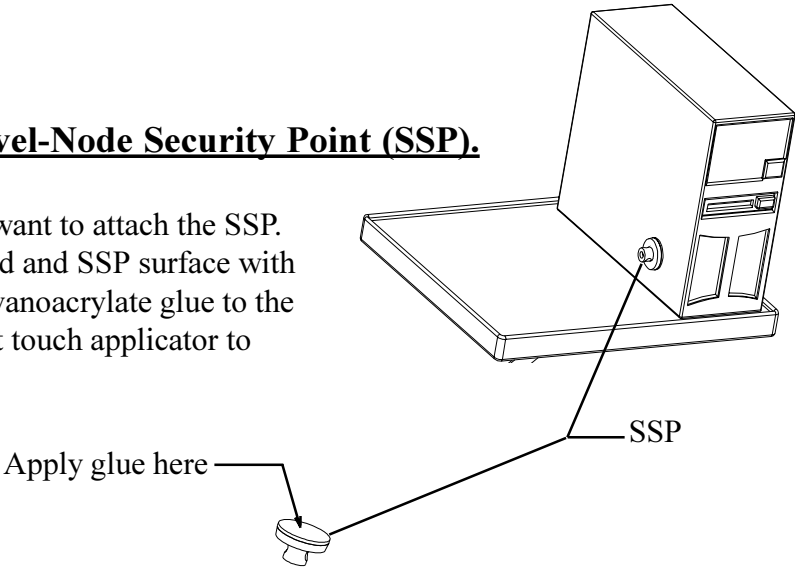
Model number	Description
TG3	3' Cable System
TG6	6' Cable System
TG10	10' Cable System
TGMS6	6' Security Cable - (1) 6' cable is 1/4" thick, 7x 19 strand, galvanized steel aircraft cable, vinyl coated to 5/16" diameter
TGSSPACK	(3) 50mm dia. Swivel-node Security Point (SSP) - Grey
TGCPU	(1) CPU Tower Entrapment (Gauge, Size and Weld) w/ Integrated Security Point (ISP) Gauge, Size and Weld added to specs (1) 40mm resettable combination padlock
TGLOCK	(1) 40mm combination padlock



← **TYPICAL
SECURITY
SYSTEM**

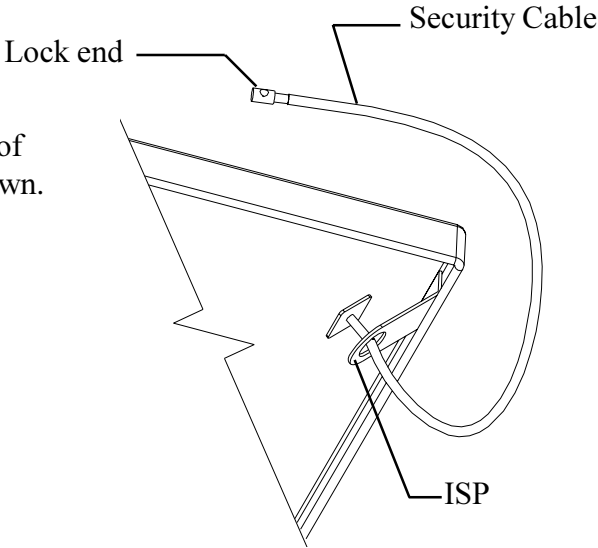
Instructions to attach Swivel-Node Security Point (SSP).

Locate the surface where you want to attach the SSP. Clean the surface to be attached and SSP surface with alcohol. Apply 5-6 drops of Cyanoacrylate glue to the SSP surface and attach. Do not touch applicator to surface or glue on surface.

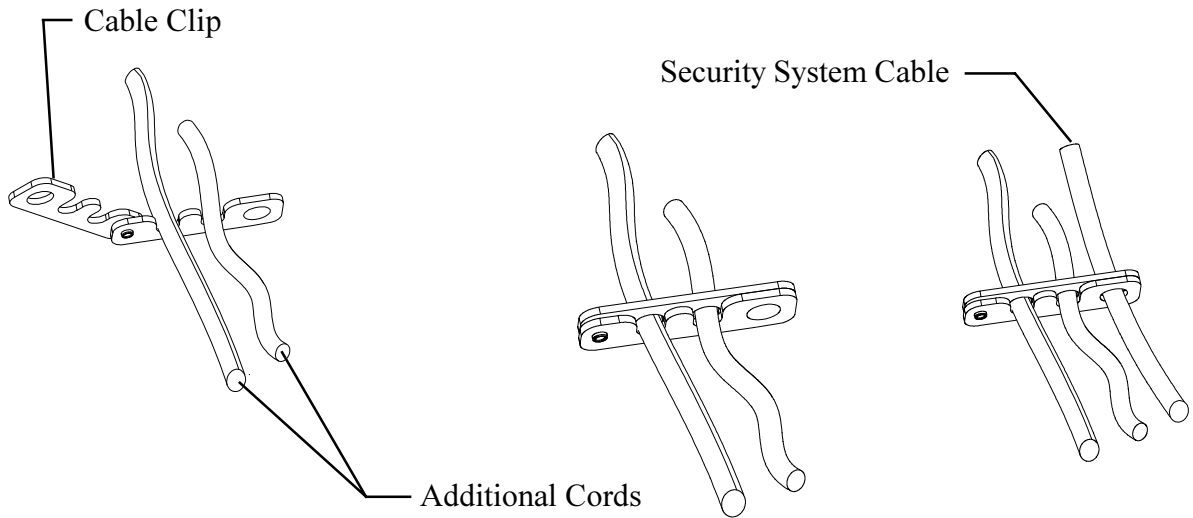


Instructions to insert Security Cable through Integrated Security Point (ISP).

Locate ISP and Insert lock end of Security Cable through it as shown.



Instructions to clamp additional cords to cable security system.



STEP 1

Open the Cable Clip and insert additional cords as shown.

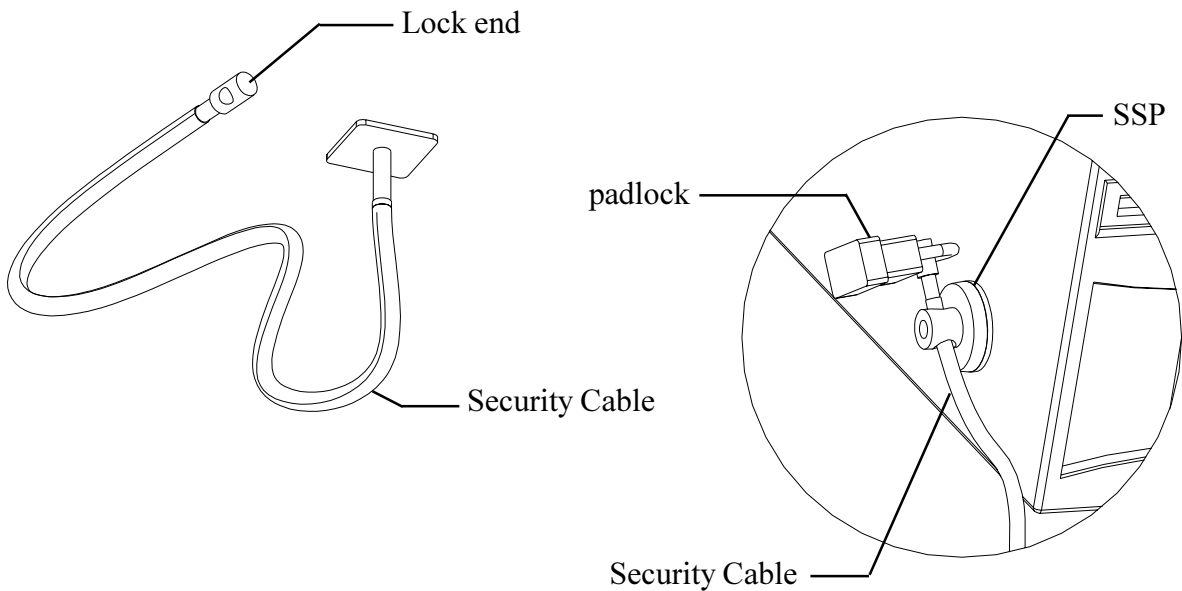
STEP 2

Close the Cable Clip.

STEP 3

Insert the Security System Cable through the last hole as shown.

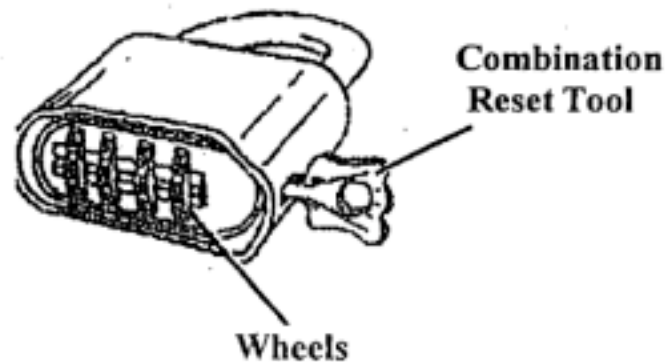
Attaching lock to cable



Insert lock end of Security Cable through SSP and lock as shown.

Instructions to reset lock combination

Resettable Combination Padlock



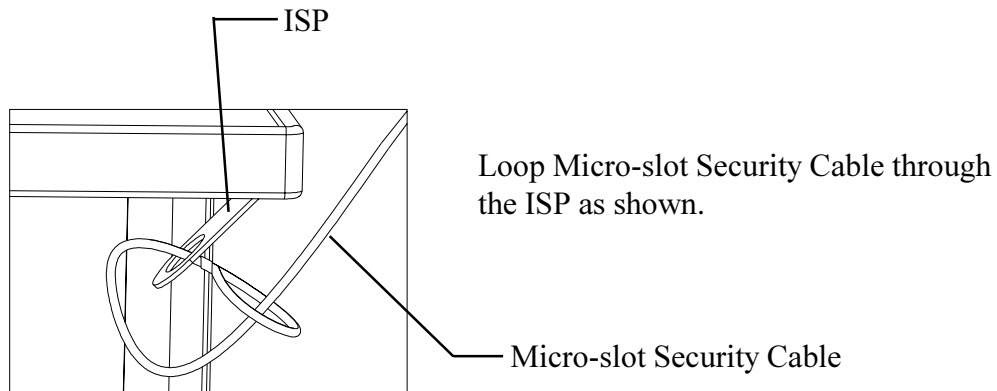
Open Lock The First Time

- 1) Set the combination to 0-0-0-0
- 2) Depress shackle and pull open.

To Set You Own Combination

- **REMEMBER:** Combination can only be set when lock is open.
- 1) Insert "reset" tool (included in package) in hole on side of lock.
 - 2) Push key in and turn key 90 degrees in either direction.
(Key automatically stays in this position).
Failure to exert force while pushing key in will result in a failed attempt to set or reset combination.
 - 3) Set wheels to desired combination.
 - 4) Turn and remove reset tool. Lock is now set to new combination.
****BE SURE TO RECORD YOUR COMBINATION.**
 - 5) To lock scramble the wheels and close the shackle.
 - 6) To reopen dial your combination and depress shackle.

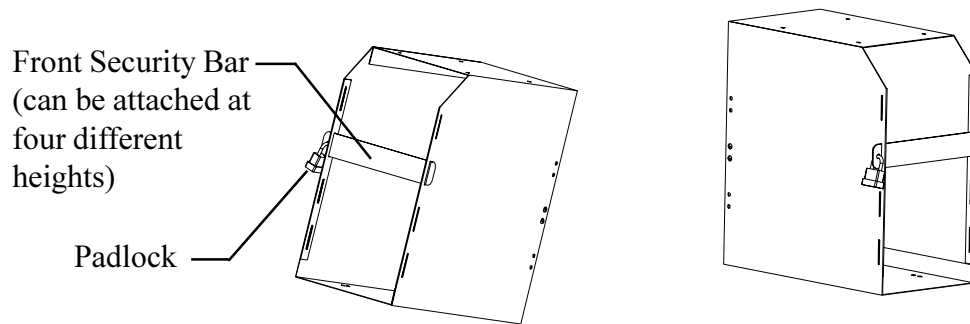
Micro-slot Security Cable attachment to Integrated Security Point (ISP).



Instructions to reset lock combination

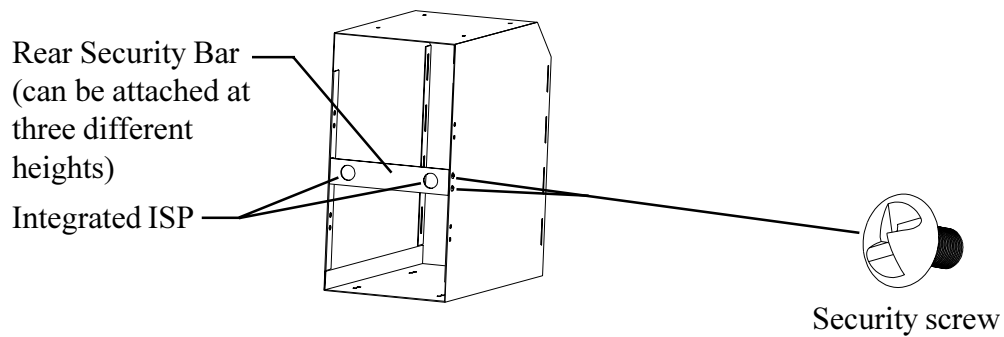
1. Your PnL Combo Cable is set to “000” which is the open position until you reset it. It needs to be in open position to lock. To protect your laptop, all you need to do is wrap the PnL Cable around a secure, stationary object (see optional accessory #1017, anchor point).
2. Find your computer’s security slot, an oval-shaped hole with a chain or lock icon next to it. Place the “S” shaped piece into the hole so the spring button pushes up. Slowly rotate the lock-head counter clockwise until push button goes back down. Change the combination and your computer is protected.
3. To unlock, set the combination to “000” and rotate the lock-head 35 degrees clockwise until the lock pins release.
4. To reset the combination: set the combo to”000”, use a pointed object to depress the reset button on the left side of PnL and while holding reset button down reset the combination. Always start with your last combination when resetting lock.

CPU entrapment



Tower enclosure front views

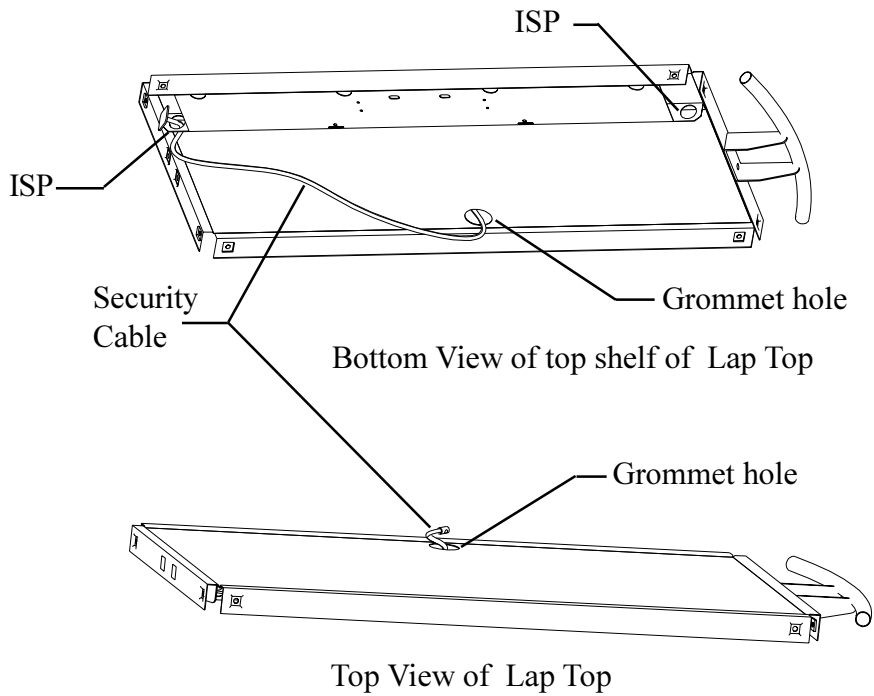
Slide the Front Security Bar through the desired slots and secure with Padlock



Tower enclosure back view

Position Rear Security Bar in desired location. Four Security Screws are provided for attaching the Rear Security Bar to CPU holder. Insert Security screws thru CPU holder as shown and tighten.

Security Cable attachment to Integrated Security Point (ISP) For Lap Top Models.



Thread Security Cable through ISP and grommet hole as shown.

Bretford
11000 Seymour Avenue
Franklin Park, IL 60131
TEL: 847.678.2545
800.521.9614
FAX: 847.678.0852
800.343.1779

Bretford Ltd.
Technology House
2 Etongate, 110 Windsor Road
Slough, Berkshire SL1 2JA England
TEL: 01753 53 99 55
FAX: 01753 53 94 78

www.bretford.com

Part #031- 4818
Rev. 03.11.05 CH