

# TECHNICAL DATA SHEET - Plasma Computer Holder for TTUFF BCT-101, BCT-103, BCT-104, MPE- 101, MPE-102, MPE-103, MPE-105, and MPE-106 Computers



MODEL: ACC 907

Designed specifically to conceal computer neatly behind plasma. May be used only with adapter plates ending in PD1 and Peerless mounts which use PLP style adapter plates.

### Features:

- Conceals computer behind plasma
- Scratch resistant black fused epoxy finish
- Compatible with mounts using PLP adapter plates only

### Dimensions:

#### Weight:

3.60 lb (1.6 kg)

#### Shipping weight:

4.00 lb (1.8 kg)

#### Maximum Load Capacity:

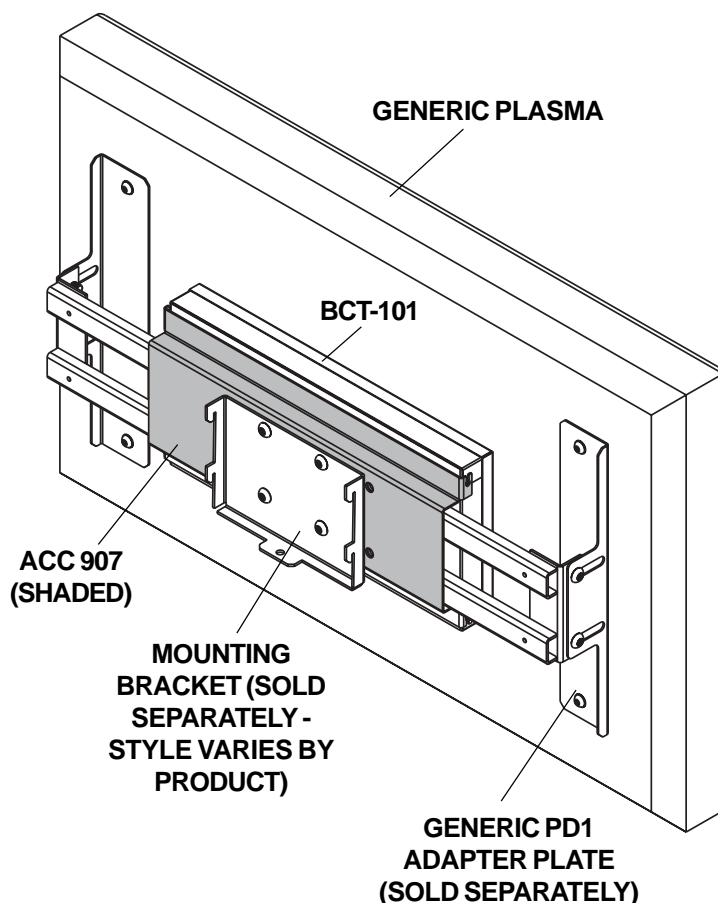
25.00 lb (11.4 kg)

#### Shipping Carton dimensions:

L = 18.00 in (457 mm)

W = 13.00 in (330 mm)

H = 1.00 in (25 mm)



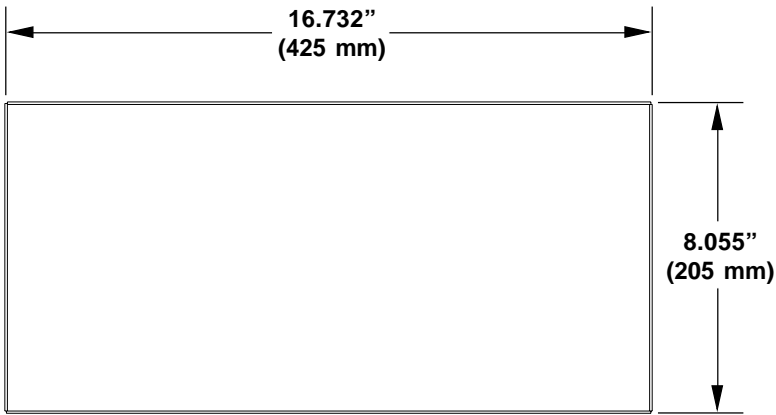
## ARCHITECTS SPECIFICATIONS

The Plasma Computer Holder shall be a Peerless model **ACC 907** and shall be located where indicated on the plans. It shall feature scratch resistant black fused epoxy finish. Assembly and installation shall be done according to instructions provided by the manufacturer.

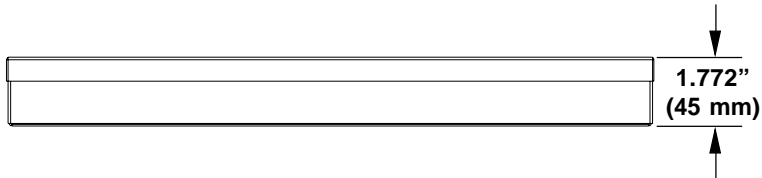
TECHNICAL DATA SHEET

**MODEL: ACC907**

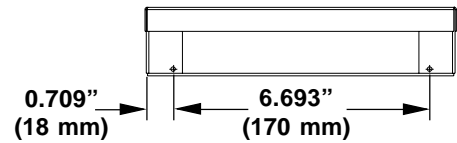
DIMENSIONS



**TOP VIEW**



**FRONT VIEW**



**SIDE VIEW  
(MOUNTING LOCATION)**