



This product is intended for use with UL Listed products and must be installed by a qualified professional installer.

Maximum Load Capacity: 25 lb (11 kg)

Read instruction sheet before you start installation and assembly.

**⚠ WARNING**

- Installer must verify that the ceiling will safely support the combined load of the equipment and all attached hardware and components.

Turn to the appropriate page for your ceiling installation.

**Installations:**

To Wood Joist Finished Ceilings,  
Exposed Wood Joists, or Wood Beam Ceilings ..... step 1, page 3

To Concrete Ceilings ..... step 2, page 4

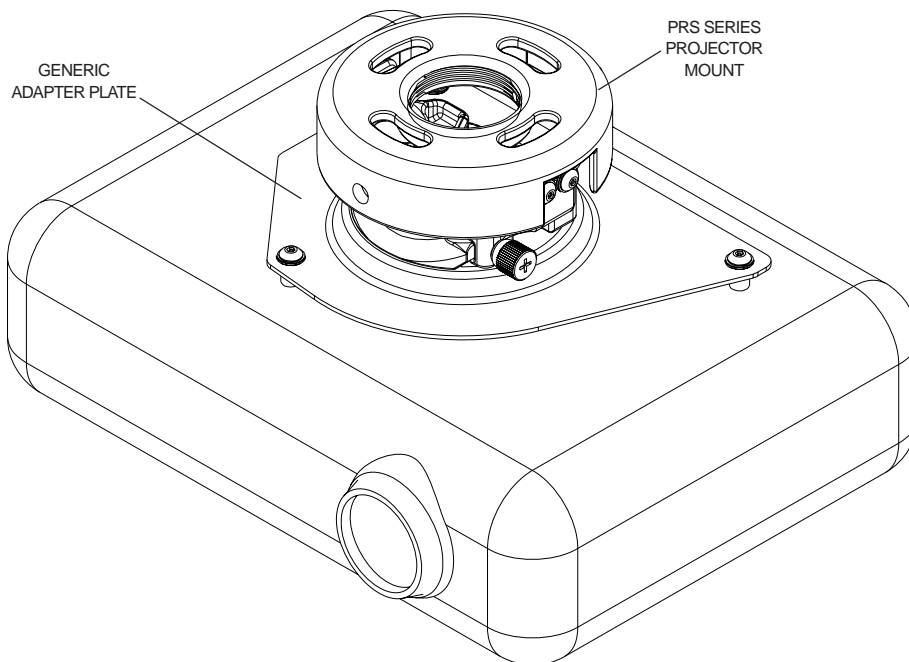
**Applications:**

Threaded Rod ..... step 3, page 5

Extension Column ..... step 4, page 5

**Projector Alignment:**

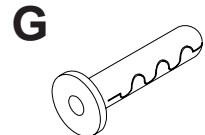
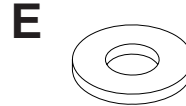
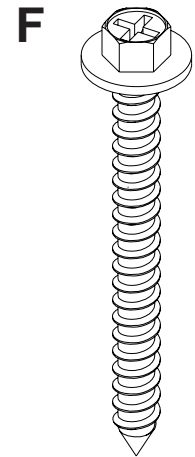
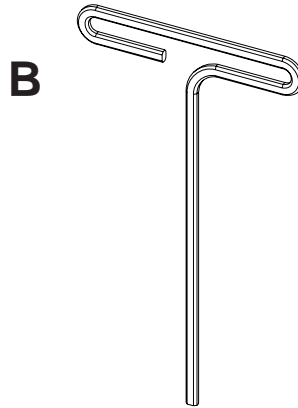
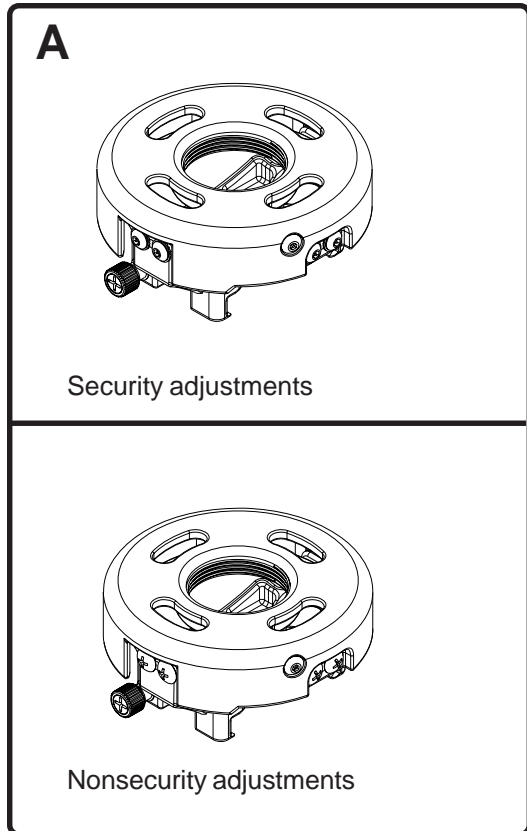
Adjusting Roll, Pitch, and Yaw ..... step 7, page 6



Before you start check the parts list to insure all of the parts shown are included.

## Parts List

Description	Qty.	PRS UNV, PRS UNVP, RTR UNB Part Number	PRS UNV-S, PRS UNVP-S, RTR UNS Part Number	PRS UNV-W, PRS UNVP-W, RTR UNW Part Number
<b>A</b> projector mount assembly (security)	1	055-0604	055-0605	055-0606
projector mount assembly (nonsecurity)	1	055-0607	055-0608	055-0609
<b>B</b> 4 mm security t-wrench	1	560-1718	560-1718	560-1718
<b>D</b> #10-32 x 1/4" socket pin screw	1	520-1196	520-2196	520-2196
<b>E</b> 1/4" flat washer	2	540-9440	540-9440	540-9440
<b>F</b> #14 x 2.5 phillips hex head wood screw	2	5S1-015-C03	5S1-015-C04	5S1-015-C04
<b>G</b> concrete anchor	2	590-0097	590-0097	590-0097



Note: Actual parts may appear slightly different than illustrated.

# Installation To Wood Joist Finished Ceilings, Exposed Wood Joists, or Wood Beam Ceilings

**1** Drill two 5/32" (4 mm) dia. holes to a minimum depth of 2.5" (64 mm). Attach projector mount assembly (A) with two #14 x 2.5" (6 mm x 65 mm) wood screws (F) and two flat washers (E) as shown in **figure 1** or **figure 2** depending on joist orientation. Tighten wood screws (F) using 3/8" (10 mm) socket wrench until projector mount assembly (A) is firmly attached.

## ⚠ WARNING

- Tighten wood screws so that ceiling plate is firmly attached, but do not overtighten. Overtightening can damage the screws, greatly reducing their holding power.
- Never tighten in excess of 80 in • lb (9 N.M.).
- Make sure that mounting screws are anchored into the center of the studs. The use of an "edge to edge" stud finder is highly recommended.

Skip to step 5.

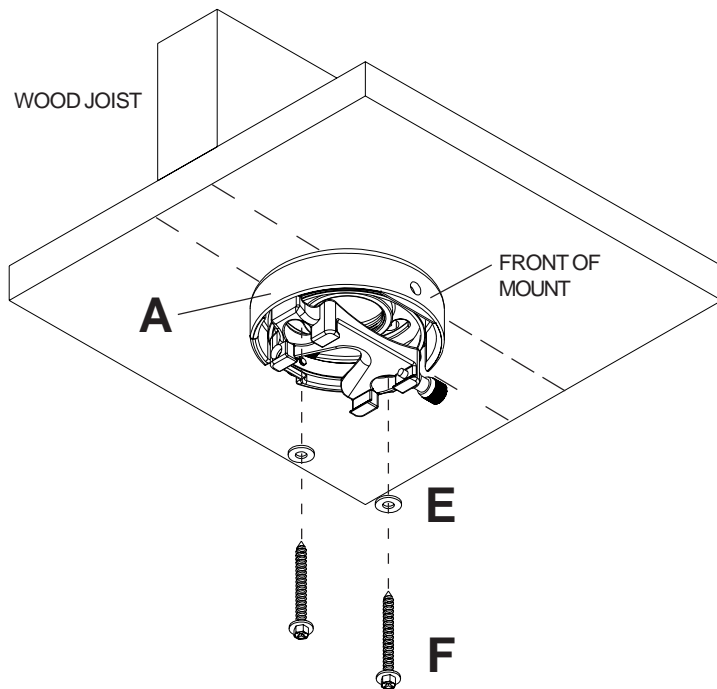


figure 1

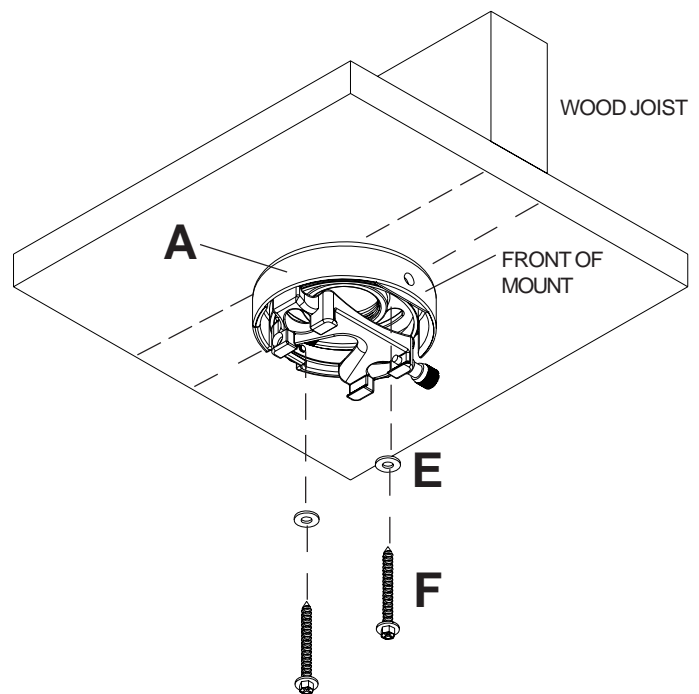


figure 2

# Installation to Concrete Ceilings

**2** Drill two 1/4" (6 mm) dia. holes to a minimum depth of 2.5" (64 mm). Attach projector mount assembly (**A**) using two concrete anchors (**G**), two flat washers (**E**), and two #14 x 2.5" wood screws (**F**) as shown in **Illustration A** and **1, 2, and 3** (below). Tighten wood screws (**F**) using 3/8" (10 mm) socket wrench until projector mount assembly (**A**) is firmly attached.

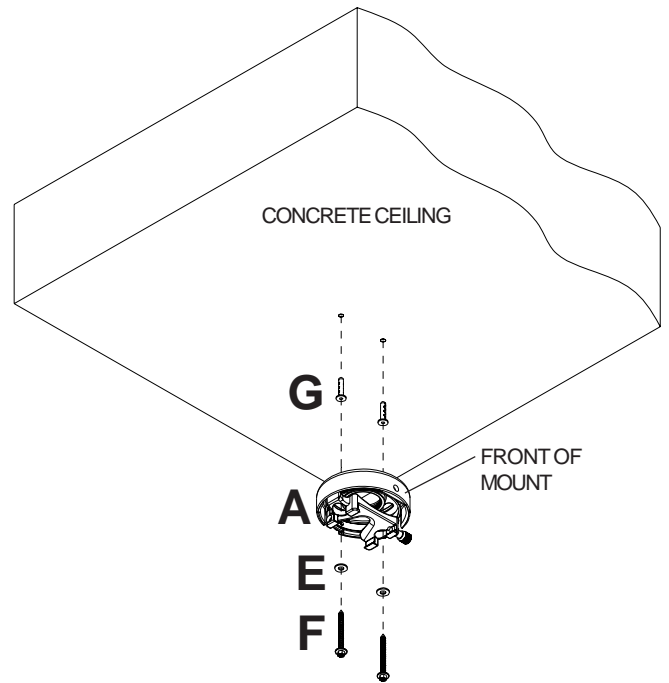


Illustration A

## ⚠ WARNING

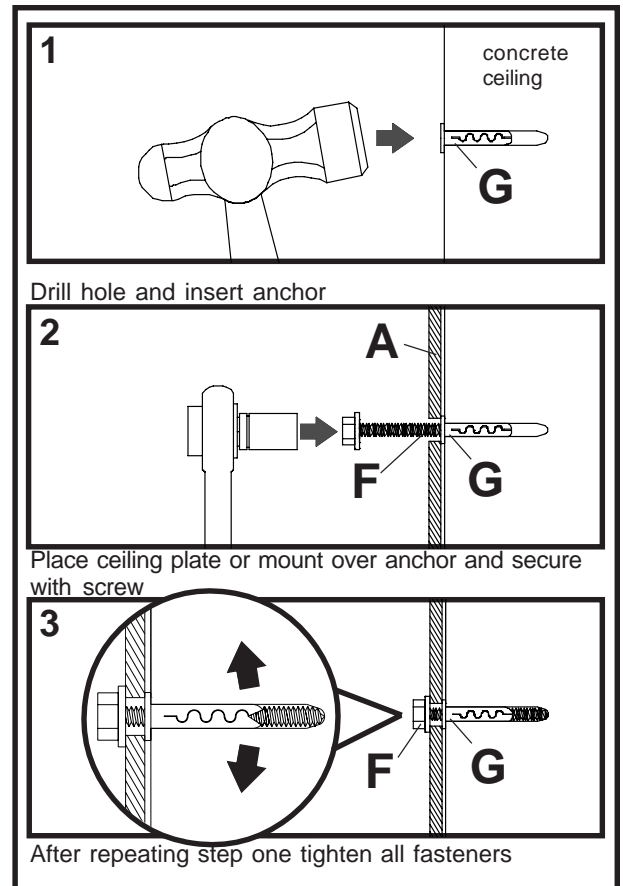
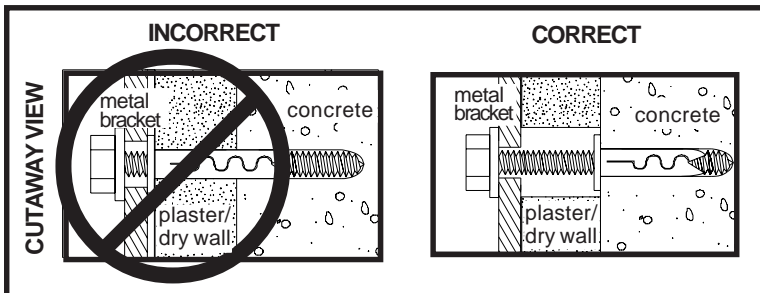
- Tighten wood screws firmly, but do not overtighten. Overtightening can damage the screws, greatly reducing their holding power.
- Never tighten in excess of 80 in • lb (9 N.M.).

**Note:** It is the responsibility of the installer to verify that the ceiling will safely support the combined load of all attached hardware and components.

**Skip to step 5.**

## ⚠ WARNING

- Concrete anchors are **not** intended for attachment to concrete ceiling covered with a layer of plaster, drywall, or other finishing material. If mounting to concrete ceiling covered with plaster/drywall is unavoidable, plaster/drywall (up to 5/8" thick) must be counterbored as shown below. If plaster/drywall is thicker than 5/8", custom fasteners must be supplied by installer.

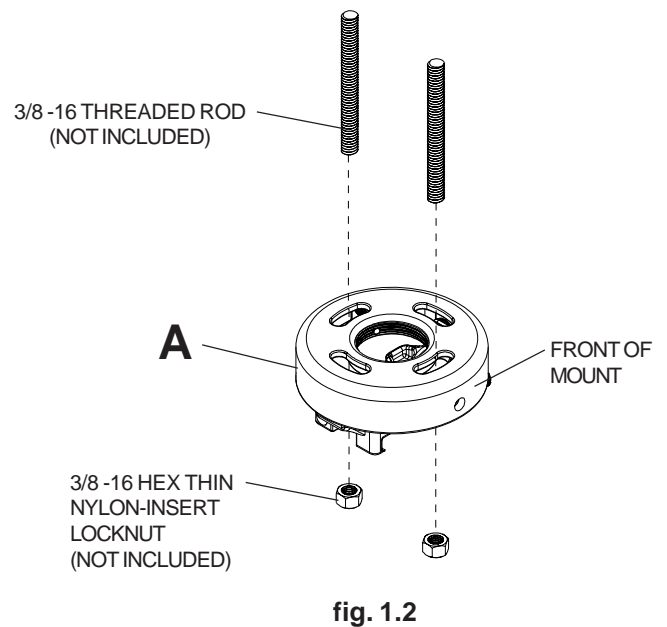
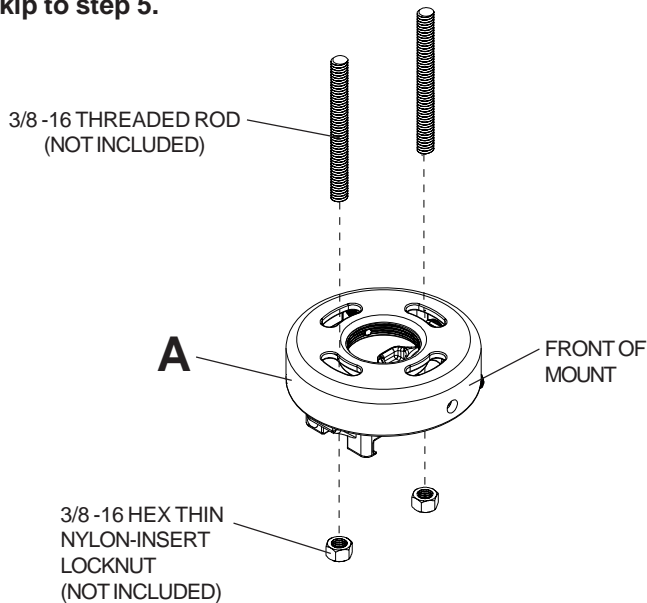


# Installation to Threaded Rod

(Not evaluated by UL - Professional installation only)

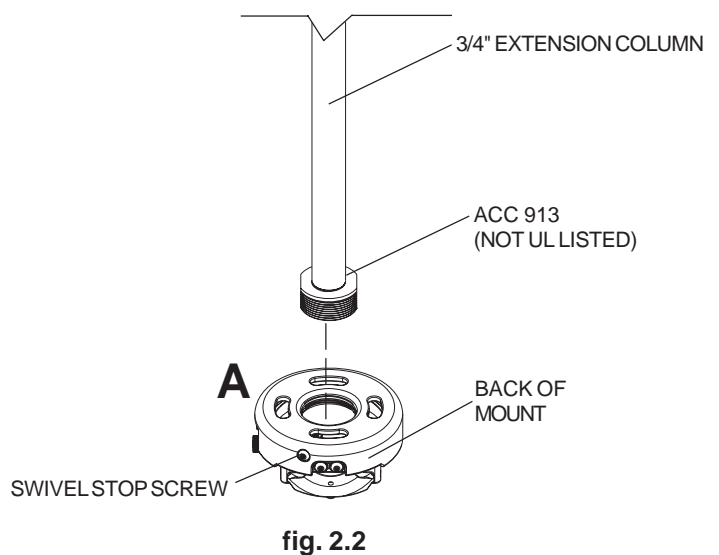
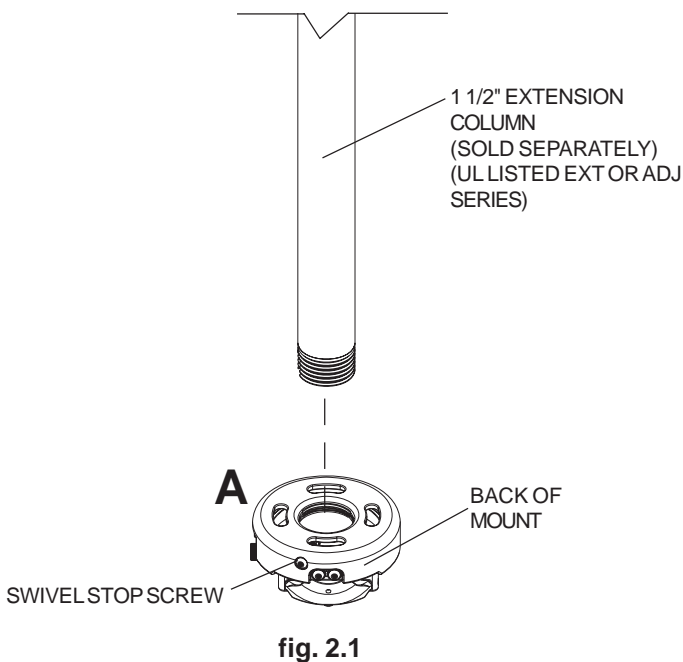
- 3** Attach projector mount assembly (A) to two 3/8-16 threaded rods (not included) using two 3/8-16 hex thin nylon-insert locknuts (not included) as shown in **figure 1.1** or **figure 1.2**.

**Skip to step 5.**



# Installation to Extension Column

- 4** Screw projector mount assembly (A) onto extension column (sold separately) as shown in **figure 2.1**. **Note:** For 3/4" extension columns, reducer ACC 913 will be required as shown in **figure 2.2**. Tighten swivel stop screw against extension column or reducer using security t-wrench (B). **Note:** Swivel stop screw is used to jam against threads of extension column or reducer to prevent any excess movement of projector mount assembly (A). Do not overtighten screw; overtightening screw will damage threads making it difficult to separate products.



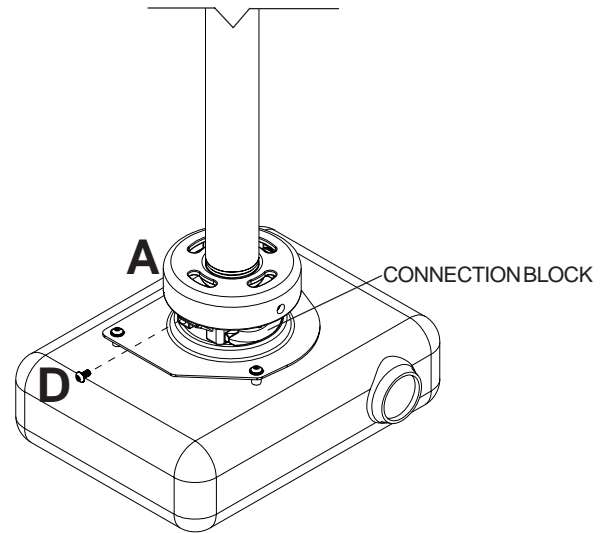
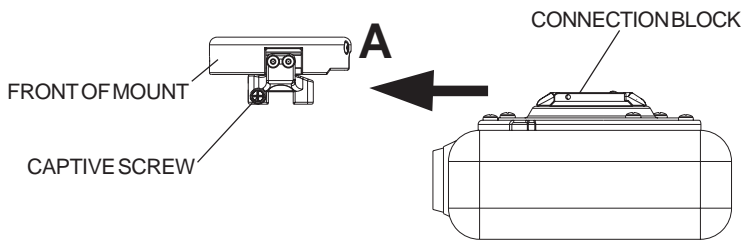
**Note:** Attach adapter plate to projector (see PAP instructions) before proceeding to step 5.  
**Note:** Adapter plate may appear different than illustrated.

## ⚠ WARNING

- Always use an assistant or mechanical lifting equipment to safely lift and position the projector.

**5** Slide connection block with projector into projector mount assembly (A) as shown. Tighten captive screw to secure projector to projector mount assembly (A).

**6** **IMPORTANT:** For security installations, insert one #10-32 x 1/4" socket pin screw (D) through projector mount assembly (A) and into connection block as shown.



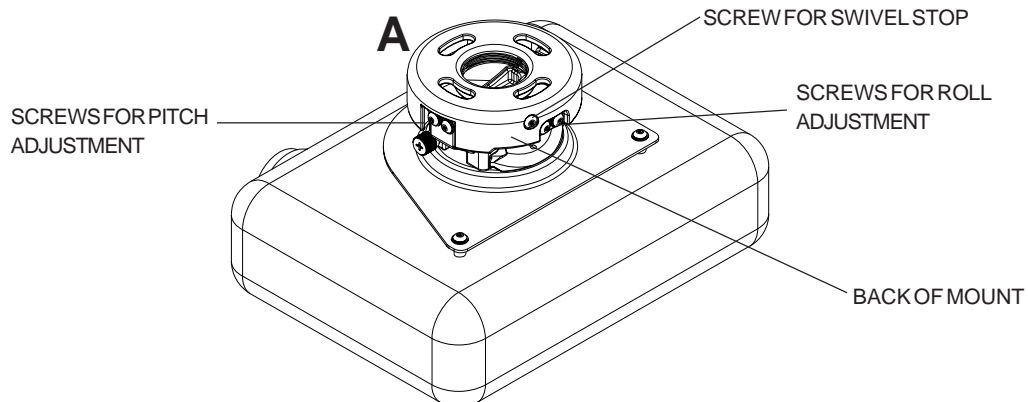
## Projector Alignment

**7** **To adjust yaw (swivel) for wood stud, concrete ceiling, and threaded rod mounting applications:** Loosen wood screws (F) (refer to step one), or locknuts for threaded rods (refer to step three), until projector mount can be rotated. Rotate mount to desired position and retighten screws or locknuts.

**To adjust yaw (swivel) for extension column applications:** Loosen screw on projector mount assembly (A) indicated below until projector mount can be rotated. Rotate mount to desired position and retighten screw.

**To adjust pitch (forward and backward tilt):** Loosen two screws on projector mount assembly (A) indicated below. Tilt mount to desired position and retighten screws.

**To adjust roll (side to side tilt):** Loosen two screws on projector mount assembly (A) indicated below. Tilt mount to desired position and retighten screws.



# PRS Series Projector Mount Accessories

\* = Not UL Listed

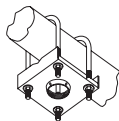
## Ceiling Plates

### Truss Ceiling Adapter

MODEL: ACC 557\*

MAX LOAD: 250 lbs. (113.4 kg.)

COLOR: Black



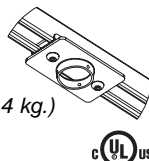
- Attaches to a square, round, rectangular, or I-Beam truss up to 3" in diameter

### Unistrut® Adapter

MODEL: ACC 550

MAX LOAD: 250 lbs. (113.4 kg.)

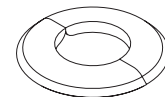
COLOR: Black



- Designed for use with 1 5/8" x 1 5/8" 12 gauge Unistrut

### Escutcheon Ring

MODEL: ACC 640



- Covers hole where extension column passes through ceiling
- Hinged ring wraps around extension column
- Included with CMJ 500

New!

### Lightweight Cathedral Ceiling Plate

MODEL: ACC 912\*

MAX LOAD: 60 lbs. (27.2 kg.)

COLOR: Black



- Designed specifically for projectors
- Allows a projector to be mounted on an angled ceiling

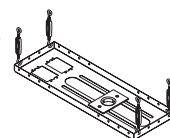
New!

### Lightweight Adjustable Suspended Ceiling Kit

MODEL: CMJ 500\*

MAX LOAD: 60 lbs. (27.2 kg.)

COLOR: White



- Mounts above 2' x 4' or 2' x 2' false ceiling tile
- Includes tie wire supports, flush mount tube, and offers two knockout panels for outlet boxes
- Offers unlimited adjustment for projector placement

New Color Options!

### Round Ceiling Plate

MODEL: ACC 570(S)(W)

MAX LOAD: 150 lbs. (68 kg.)

COLOR: Black, Silver, White



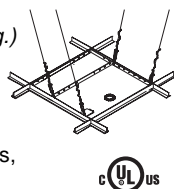
- Designed for finished or structural ceilings (wood or concrete)
- Features a cord management access hole
- Now available in Silver or White

### Lightweight Suspended Ceiling Kit

MODEL: CMJ 455

MAX LOAD: 50 lbs. (22.7 kg.)

COLOR: White



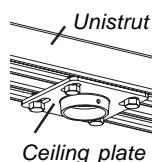
- Five different projector mount attachment points
- Includes tie wire supports, flush mount tube, and offers two knockout panels for outlet boxes
- May either **replace** a 2' x 2' false ceiling tile or mount **above** an existing 2' x 2' or 2' x 4' ceiling tile

### Unistrut or Structural Ceiling Plates

MODELS: CMJ 300\*, CMJ 310\*

MAX LOAD: 250 lbs. (113.4 kg.)

COLOR: Black



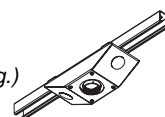
- CMJ 300 is a 4" x 4" ceiling plate
- CMJ 310 is a 8" x 8" ceiling plate
- Designed for a Unistrut ceiling (1 5/8" x 1 5/8" 12 gauge Unistrut) or a solid structural ceiling (mounting hardware not included)

### Anti-Vibration Ceiling Plates

MODELS: ACC 840\*, ACC 845\*

MAX LOAD: 60 lbs. (27.2 kg.)

COLOR: Black



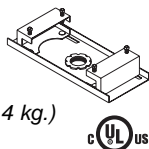
- ACC 840 was designed for a structural ceiling (wood only)
- ACC 845 was designed for a Unistrut ceiling (1 5/8" x 1 5/8" 12 gauge Unistrut)
- Reduces unwanted vibrations that may cause internal damage to the equipment and/or cause the screen image to vibrate
- Features two cord management access holes
- Patent pending

### I-Beam Clamps

MODELS: ACC 558, ACC 559

MAX LOAD: 250 lbs. (113.4 kg.)

COLOR: Black



- ACC 558 clamps onto 4"-8" I-Beam
- ACC 559 clamps onto 7"-12" I-Beam

### Accessory Pack for CMJ 455

MODEL: ACC 455\*

This pack includes 4 hanger brackets and 4 hanger clamps for additional stability. For use with model CMJ 455.

# PRS Series Projector Mount Accessories

## Cord Management

### Cord Wrap

MODELS: ACC 852(W)(S)\*

COLOR: Black, White, or Silver



- Includes four 2' sections
- Designed to externally route cords along the outside of an 1/2" extension column
- Sections can be stacked to create longer lengths or cut to desired length

New!

### 3/4" Pipe Reducer

MODEL: ACC 913\*

- For use with FLP model extension columns
- Order an additional reducer to attach ceiling plates with 1 1/2" hole

New!

### Fixed Length 3/4" Extension Columns\*

LOAD CAPACITY: 60 lbs. (27.2 kg.)

MODEL	Drop Length
FLP006	8"
FLP101	14"
FLP102	26"
FLP103	38"



### Fixed Length 1 1/2" Extension Columns

COLOR: Black

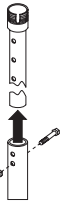
MODEL	Drop Length	Ship Weight
EXT 006	8" (20 cm)	2.5 lbs (1.13 kg)
EXT 018	20" (51 cm)	5 lbs (2.27 kg)
EXT 101	14" (36 cm)	3.5 lbs (1.59 kg)
EXT 102	26" (66 cm)	6 lbs (2.72 kg)
EXT 103	38" (97 cm)	9.25 lbs (4.2 kg)
EXT 104	50" (127 cm)	12 lbs (5.44 kg)
EXT 105	62" (158 cm)	14.75 lbs (6.69 kg)
EXT 106	74" (188 cm)	18 lbs (8.16 kg)
EXT 107	86" (219 cm)	20.75 lbs (9.41 kg)
EXT 108	98" (249 cm)	23.25 lbs (10.55 kg)
EXT 109	110" (279 cm)	26.5 lbs (12.02 kg)
EXT 110	122" (310 cm)	29 lbs (13.15 kg)



### Adjustable Length 1 1/2" Extension Columns

COLOR: Black

MODEL	Drop Length	Ship Weight
ADJ 006009	8"-11"	4 lbs. (1.81 kg)
ADJ 012018	14"-20"	4.75 lbs. (2.15 kg)
ADJ 018024	20"-26"	6.25 lbs. (2.83 kg)
ADJ 0203	26"-38"	8 lbs. (3.63 kg)
ADJ 0305	38"-62"	13.5 lbs. (6.12 kg)
ADJ 0406	50"-74"	16.25 lbs. (7.37 kg)
ADJ 0507	62"-86"	18.5 lbs. (8.39 kg)
ADJ 0608	74"-98"	21.75 lbs. (9.87 kg)
ADJ 0709	86"-110"	24.5 lbs. (11.11 kg)
ADJ 0810	98"-122"	27 lbs. (12.25 kg)
ADJ 0911	110"-134"	29 lbs. (13.15 kg)
ADJ 1012	122"-146"	31 lbs. (14.06 kg)

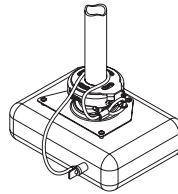


## Security Accessories

New  
Low Price!

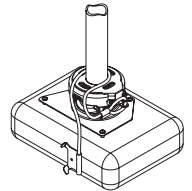
MODEL: ACC 020\*

- With security lock
- For use with projectors that have a built-in security slot



MODEL: ACC 021\*

- With 1/4" security cable and fasteners
- Includes adhesive for non-fastener applications

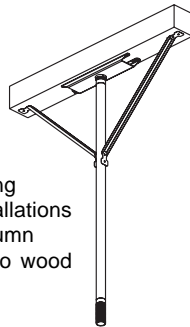


### Extension Column Stabilizer Kit

MODEL: ACC 050\*

COLOR: Black

- Can be used to reduce unwanted swaying that may occur with extension column installations
- Includes a hose clamp, two stabilizer column supports, & hardware for mounting to wood joists
- For use with extension columns over 21"



### ALLIGATOR® Concrete Anchors

MODELS: ACC 203, 204

- ACC 203 contains 3 anchors
- ACC 204 contains 4 anchors
- Used for attachment to concrete, concrete block, or brick
- Used in conjunction with wood screws (supplied with projector mount and/or ceiling plate)
- Expands in length and binds to the contours of the hole and the screw



### Extension Column Connector

MODEL: ACC 109\*

COLOR: Black

- Can be used to join two 1 1/2" extension columns to create a maximum length of 20'
- Secures to columns with Armor Lock™ Security screws



### Side-To-Side Adjuster

MODEL: ACC 830\*

COLOR: Black

- Provides 4" of radial adjustment side to side
- Includes Flush Mount Tube, EXT 002

